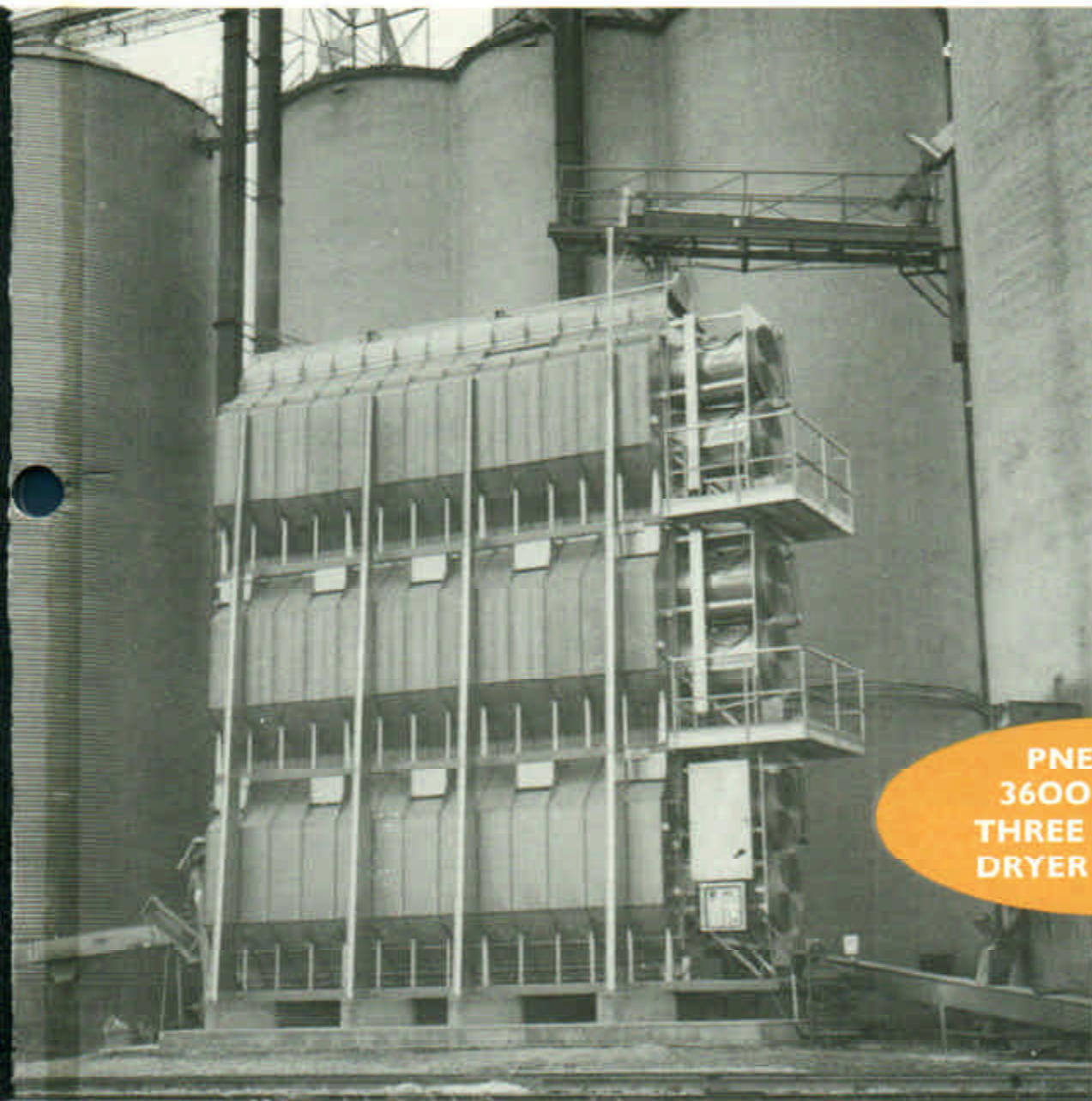


1 9 9 5

# DRYER PARTS

3600 SERIES SIX FAN



PNEG-359  
3600 SERIES  
THREE MODULE  
DRYER MODELS

**AIRSTREAM**

A MEMBER OF  
THE GSI GROUP





# PARTS LIST

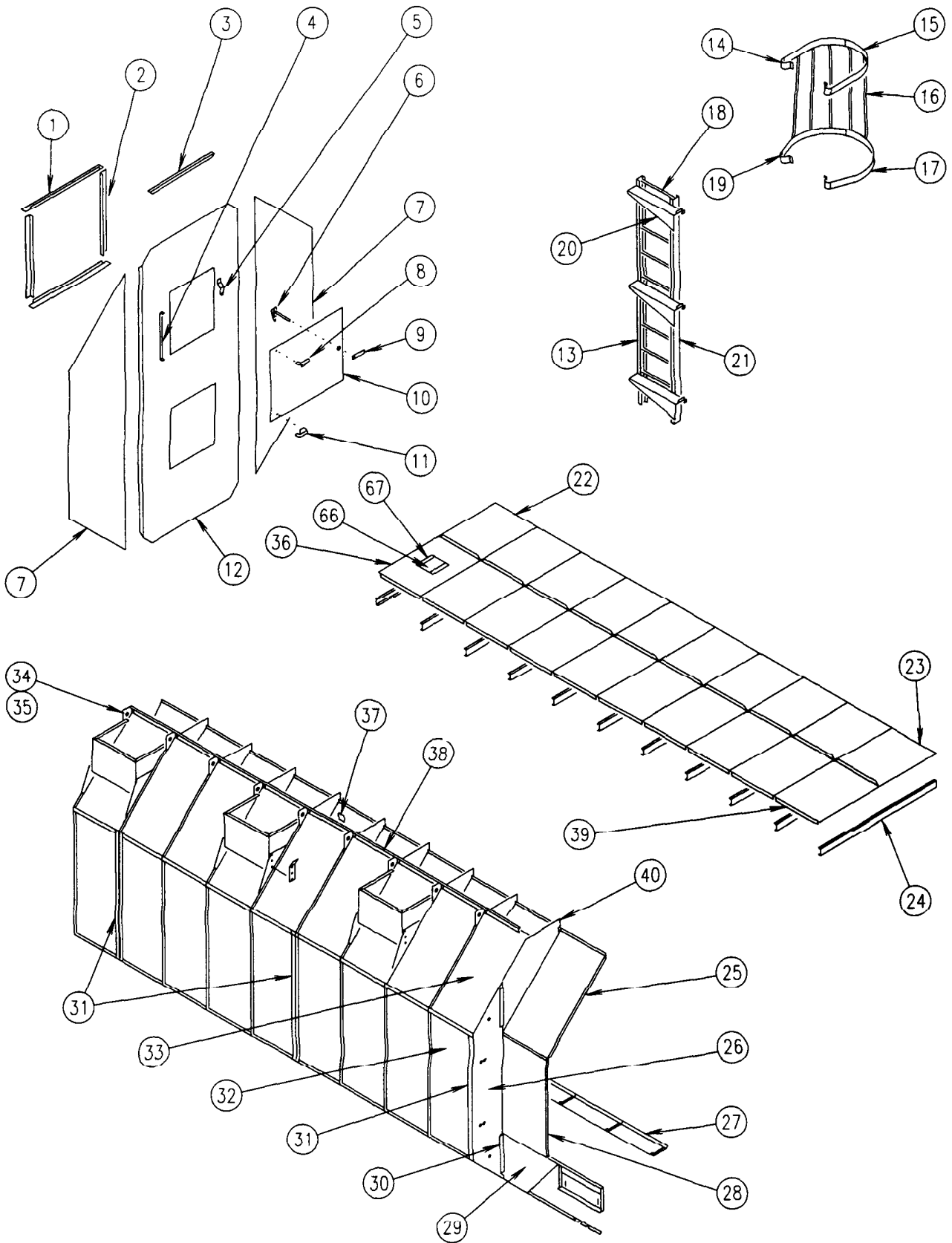
## AIRSTREAM GRAIN DRYERS

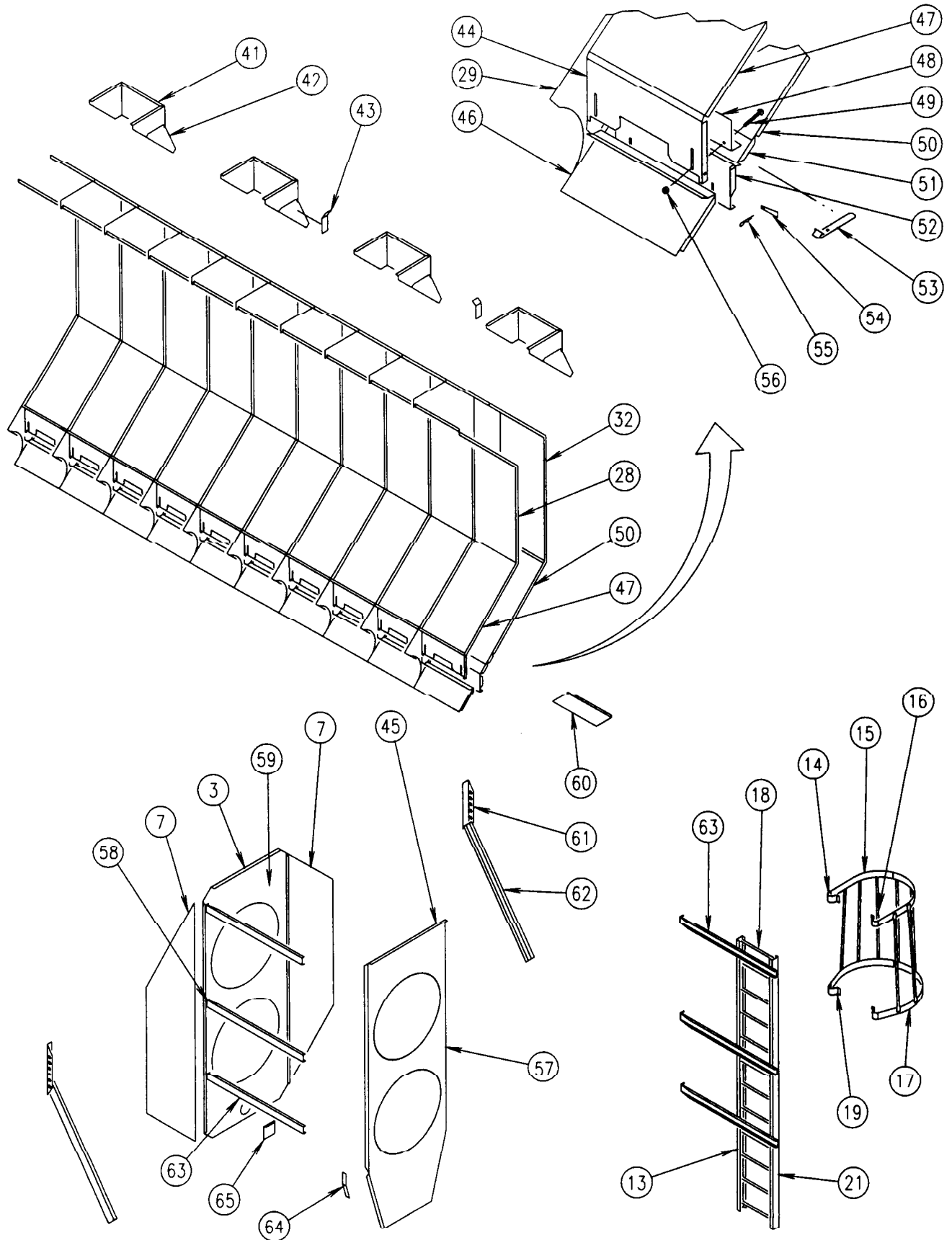
### CONTENTS: FOR 3614, 3618, 3620, 3622 AND 3626

BOTTOM MODULE.....	4
MIDDLE MODULE.....	8
TOP MODULE.....	12
MAIN FRAME.....	16
LOCATION OF CAPILARY SENSORS.....	18
TOP AUGER.....	20
BOTTOM AUGER CLEAN-OUT.....	23
BOTTOM AUGER AND METERING ROLLS.....	24
POWER AND CONTROL BOX.....	28
POWER BOX.....	30
POWER BOX, 1 PHASE BACK PANEL.....	32
POWER BOX, 3 PHASE BACK PANEL.....	34
CONTROL BOX.....	36
FAN HEATER CONTROL BOX.....	38
FAN HEATER.....	39
28" LP FAN HEATER PIPETRAIN.....	42
36"& 40" LP FAN HEATER PIPETRAIN.....	44
LP FUEL SUPPLY.....	46
28" NATURAL GAS FAN HEATER PIPETRAIN.....	48
36"& 40" NATURAL GAS FAN HEATER PIPETRAIN.....	50
NATURAL GAS FUEL SUPPLY.....	52

**GRAIN SYSTEMS,  
INCORPORATED**  
ASSUMPTION, IL 62510 217/226-4421

# STACK DRYERS BOTTOM MODULE





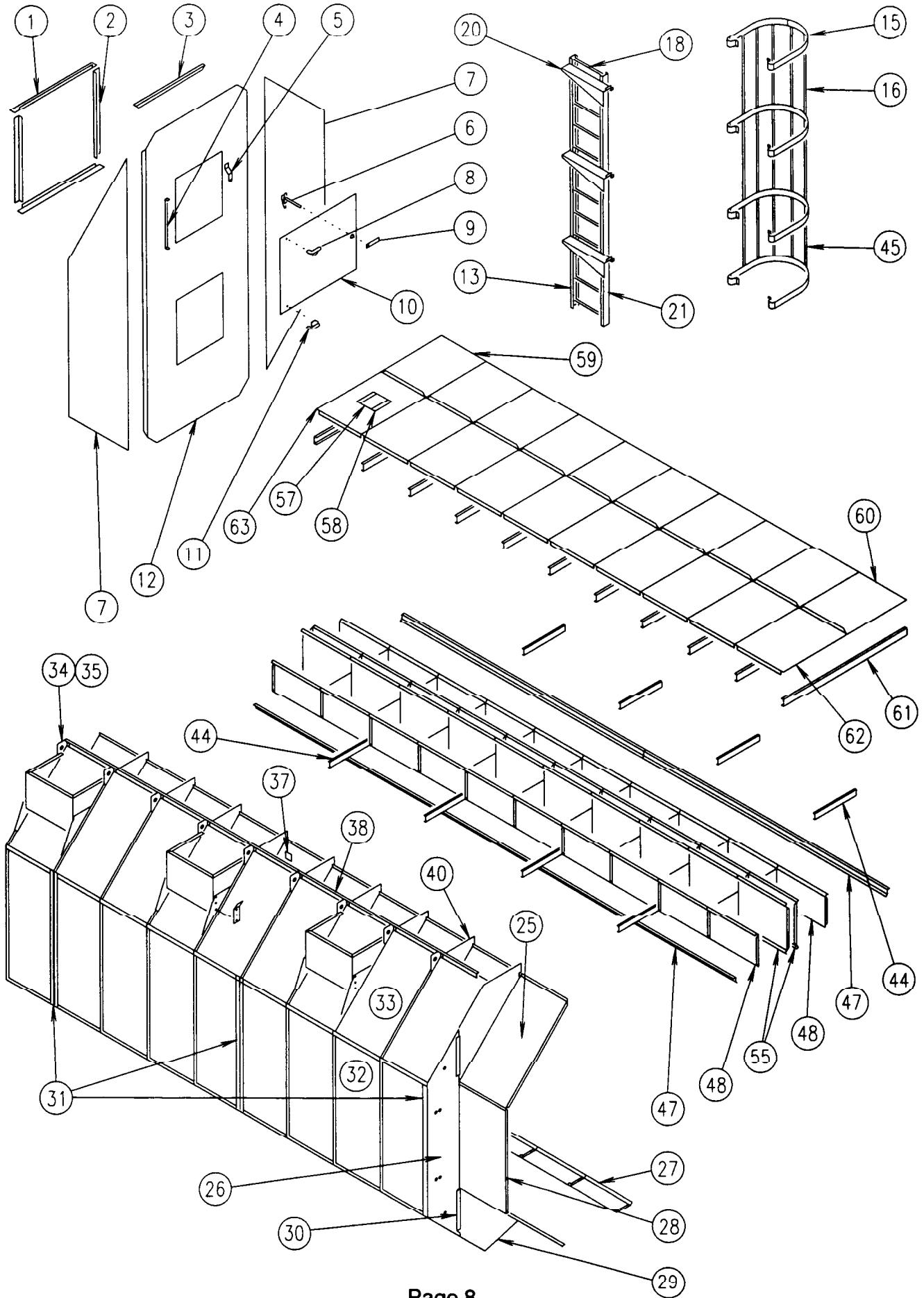
**STACK DRYERS  
BOTTOM MODULE**

REF NO.	PART NO.	DESCRIPTION	QTY				
			3614	3618	3620	3622	3626
1	D01-0396	REAR DOOR ANGLES, TOP AND BOTTOM	4	4	4	4	4
2	D01-0395	REAR DOOR ANGLES , SIDES	4	4	4	4	4
3	D01-0044	TOP ANGLE BRACKET	2	2	2	2	2
4	D31-0161	DOOR HINGE BRACKET	2	2	2	2	2
5	D01-0397	REAR DOOR LATCH, BRACKET	2	2	2	2	2
6	ACD-4513	DOOR HANDLE	2	2	2	2	2
7	D71-0020	COLUMN END PANEL	4	4	4	4	4
8	D31-0297	TOP HINGE	2	2	2	2	2
9	ACD-4514	INSIDE HANDLE	2	2	2	2	2
10	D01-0394	REAR ACCESS DOOR	2	2	2	2	2
11	D31-0296	BOTTOM HINGE	2	2	2	2	2
12	D61-0215	REAR END PANEL	1	1	1	1	1
13	D61-0093	R.H. LADDER SIDE RAIL	1	1	1	1	1
14	LS-4349	OSHA SAFETY CAGE LADDER BRACKET STD	4	4	4	4	4
15	LS-4351	OSHA SAFETY CAGE HOOP HALF	4	4	4	4	4
16	LS-4353	44" VERTICAL SUPPORT	12	12	12	12	12
17	LS-4352	OSHA SAFETY CAGE BELL HOOP HALF	4	4	4	4	4
18	D61-0096	LADDER RUNG	22	22	22	22	22
19	LS-4350	OSHA SAFETY CAGE LADDER BRACKET BELL	4	4	4	4	4
20	D61-0097	LADDER MOUNTING BRACKET	3	3	3	3	3
21	D61-0092	L.H. LADDER SIDE RAIL	1	1	1	1	1
22	D61-0027	L.H. REAR PLENUM DIVIDER - SHEET	1	1	1	1	1
23	D61-0025	L.H. PLENUM DIVIDER - SHEET	6	8	9	10	12
24	D61-0024	PLENUM SUPPORT CHANNEL	8	10	11	12	14
25	D01-0126	PLENUM TOP SHEET	14	18	20	22	26
26	D31-0055	COLUMN BULKHEAD	12	16	18	20	24
27	D01-0162	PLENUM BOTTOM CLOSURE PANEL, HINGED	7	9	10	11	13
28	D31-0012	PLENUM WALL	14	18	20	22	26
29	D01-0109	HOPPER BULKHEAD	12	16	18	20	24
30	D61-0038	BULKHEAD STIFFENER BAR	24	32	36	40	48
31	D61-0020	ATTACH BRACKET - WIND BUTTRESS	12	12	12	16	16
32	D31-0013	OUTSIDE WALL SHEET (STANDARD)	14	18	20	22	26
	D31-0040	OUTSIDE WALL SHEET (STAINLESS STEEL)					
33	D01-0127	ROOF SHEET (STANDARD)	14	18	20	22	26
	D01-0265	ROOF SHEET (STAINLESS STEEL)					
34	D01-0152	TOP EDGE ANGLE GUSSET, L.H.	14	18	20	22	26
35	D01-0153	TOP EDGE ANGLE GUSSET, R.H.	2	2	2	2	2
36	D61-0028	R.H. REAR PLENUM DIVIDER - SHEET	1	1	1	1	1
37	D31-0003	TOP EDGE ANGLE SPLICE	2	2	2	4	4
38	D31-0004	TOP EDGE ANGLE 95.875"	2	2		4	4
	D21-0003	TOP EDGE ANGLE 71.875"	2			2	
	D01-0168	TOP EDGE ANGLE 119.875"		2	4		2
39	D61-0026	R.H. PLENUM DIVIDER - SHEET	6	8	9	10	12
40	D01-0101	GARNER BULKHEAD	12	16	18	20	24
41	D61-0013	MODULE SUPPORT PAD	8	8	8	10	10
42	D61-0021	BODY TIE IN GUSSET L.H.	8	8	8	10	10
	D61-0022	BODY TIE IN GUSSET R.H.	8	8	8	10	10
43	D61-0012	CRANE BRACKET	4	4	4	4	4
44	D01-0430	METER ROLL UPPER SHIELD	14	18	20	22	26
45	D61-0023	TOP ANGLE FOR SUPPORT PANEL	1	1	1	1	1
46	D01-0048	TROUGH PANEL	14	18	20	22	26
47	D01-0428	PLENUM BOTTOM SHEET	14	18	20	22	26
48	D01-0431	METER ROLL STRIKEOFF PLATE	14	18	20	22	26

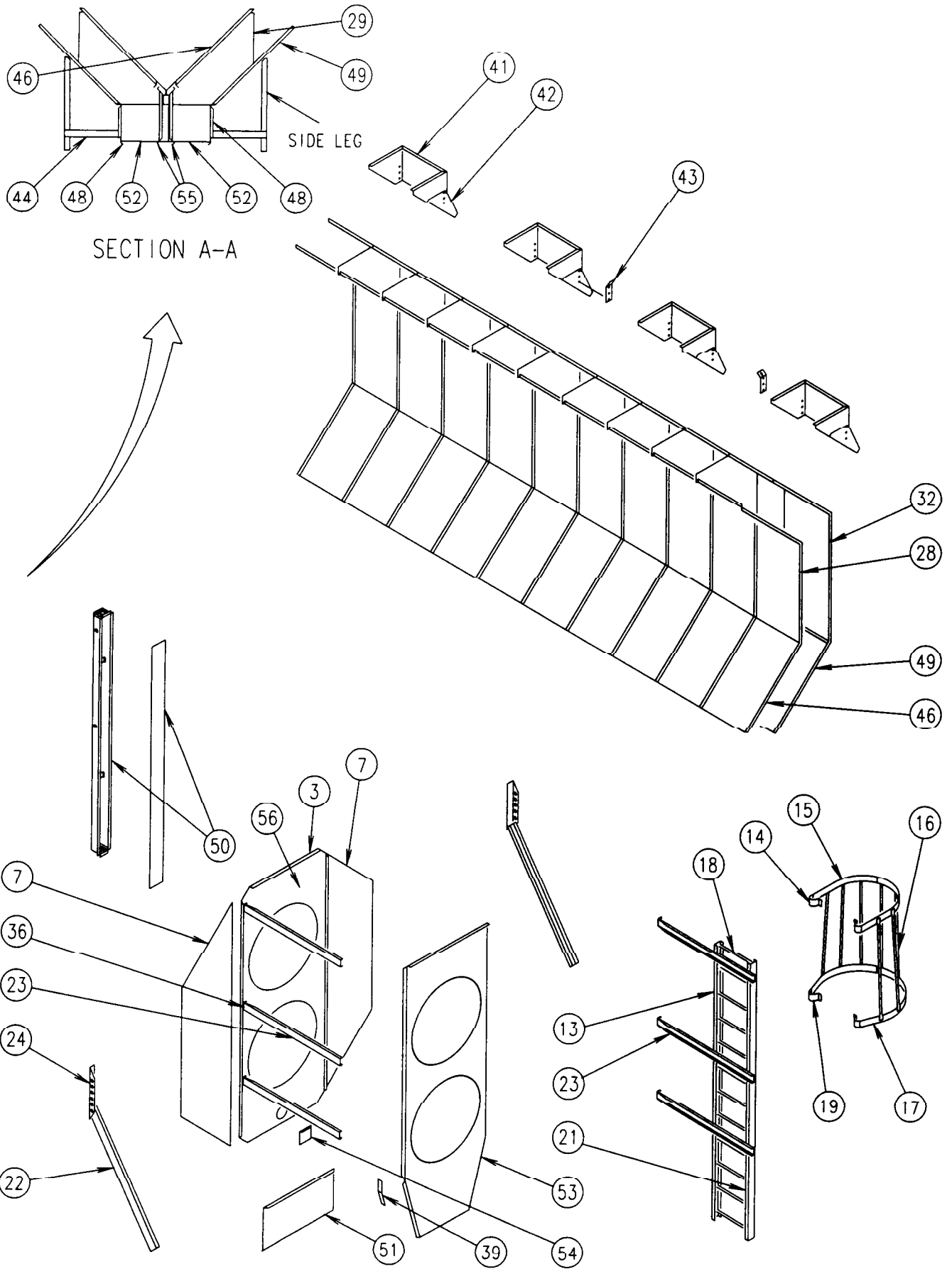
**STACK DRYERS  
BOTTOM MODULE**

REF NO.	PART NO.	DESCRIPTION	QTY				
			3614	3618	3620	3622	3626
49	S-6996	CARRIAGE BOLT 5/16" - 18 X 1 1/2"	28	36	40	44	52
50	D01-0128	HOPPER SHEET (STANDARD)	14	18	20	22	26
	D01-0267	HOPPER SHEET (STAINLESS STEEL)					
51	D01-0050	CONNECTOR SHEET	14	18	20	22	26
52	D01-0045	ACCESS DOOR	14	18	20	22	26
53	D01-0325	CONNECTOR CLEAN OUT TOOL	1	1	1	1	1
54	D01-0039	DOOR LATCH	28	36	40	44	52
55	S-6552	COTTER PIN #14	28	36	40	44	52
56	S-3611	HEX HEAD NUT 5/16" - 18	28	36	40	44	52
57	D01-0593	FAN HEATER FRONT SUPPORT	1				
	D61-0041	FAN HEATER FRONT SUPPORT		1	1	1	
	D71-0008	FAN HEATER FRONT SUPPORT					1
58	D01-0090	CONTROL PANEL MOUNTING BRACKET	3	3	3	3	3
59	D01-0594	FRONT END PANEL	1				
	D61-0018	FRONT END PANEL		1	1	1	
	D71-0006	FRONT END PANEL					1
60	D01-0117	SERVICE TOOL	2	2	2	2	2
61	D31-0129	DIAGONAL SUPPORT BRACKET	2	2	2	2	2
62	D01-0062	FRONT DIAGONAL SUPPORT	2	2	2	2	2
63	D51-0022	CONTROL PANEL SUPPORT	6	6	6	6	6
64	D51-0021	FAN SUPPORT STIFFNER	2	2	2	2	2
65	D01-0076	ACCESS DOOR	1	1	1	1	1
66	D31-0259	PLENUM DIVIDER CLEAN OUT DOOR	1	1	1	1	1
67	D31-0260	CLEAN OUT DOOR GUIDE	2	2	2	2	2

# STACK DRYERS MIDDLE MODULE







**STACK DRYERS  
MIDDLE MODULE**

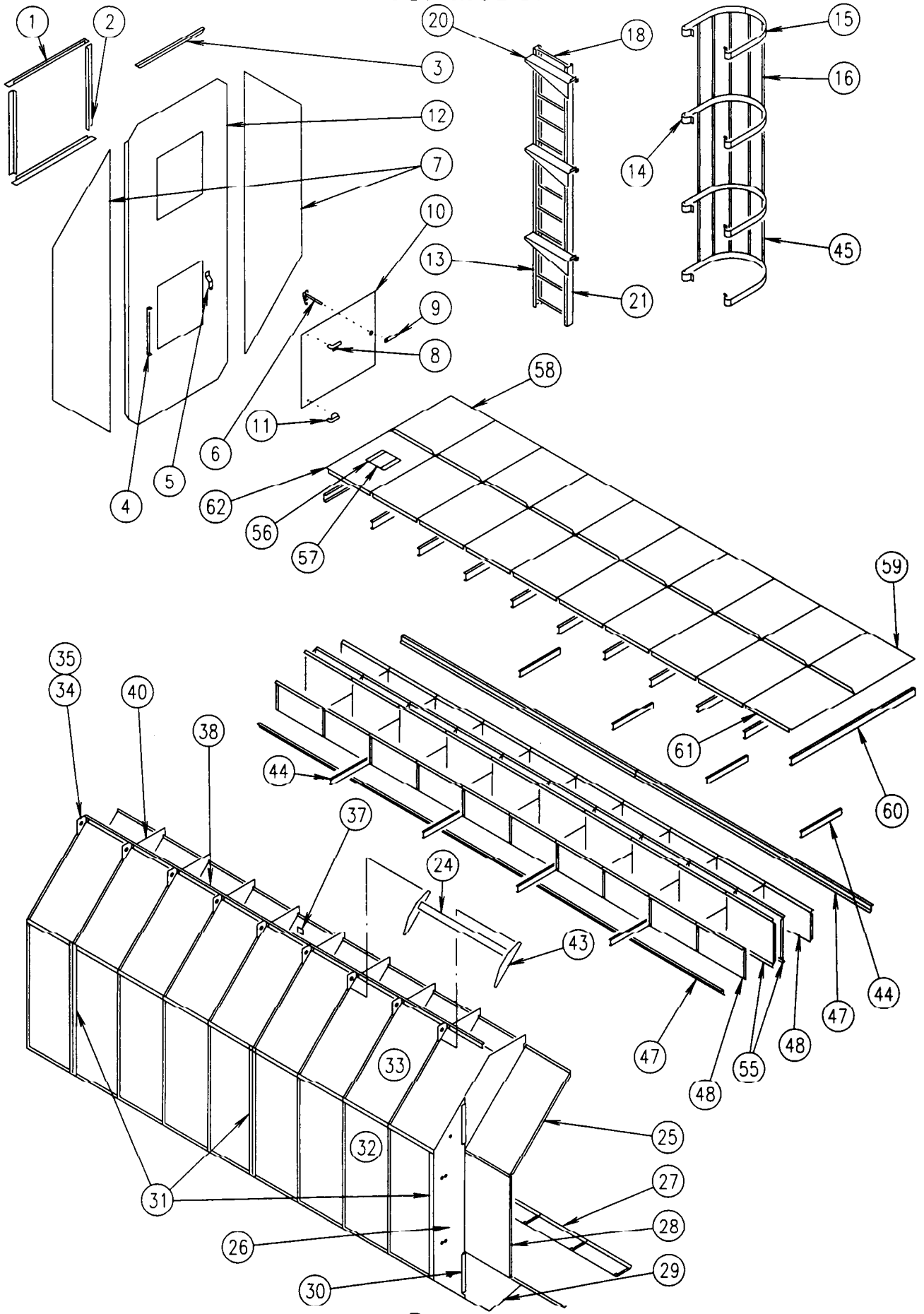
REF NO.	PART NO.	DESCRIPTION	QTY				
			3614	3618	3620	3622	3626
1	D01-0396	REAR DOOR ANGLES, TOP AND BOTTOM	4	4	4	4	4
2	D01-0395	REAR DOOR ANGLES, SIDES	4	4	4	4	4
3	D01-0044	TOP ANGLE BRACKET	2	2	2	2	2
4	D31-0161	DOOR HINGE BRACKET	2	2	2	2	2
5	D01-0397	REAR DOOR LATCH, BRACKET	2	2	2	2	2
6	ACD-4513	DOOR HANDLE	2	2	2	2	2
7	D71-0020	COLUMN END PANEL	4	4	4	4	4
8	D31-0297	TOP HINGE	2	2	2	2	2
9	ACD-4514	INSIDE HANDLE	2	2	2	2	2
10	D01-0394	REAR ACCESS DOOR	2	2	2	2	2
11	D31-0296	BOTTOM HINGE	2	2	2	2	2
12	D61-0215	REAR FND PANEL	1	1	1	1	1
13	D61-0093	R.H. LADDER SIDE RAIL	1	1	1	1	1
14	LS-4349	OSHA SAFETY CAGE LADDER BRACKET STD	4	4	4	4	4
15	LS-4351	OSHA SAFETY CAGE HOOP HALF	4	4	4	4	4
16	LS-4353	44" VERTICAL SUPPORT	12	12	12	12	12
17	LS-4352	OSHA SAFETY CAGE BELL HOOP HALF	4	4	4	4	4
18	D61-0096	LADDER RUNG	22	22	22	22	22
19	LS-4350	OSHA SAFETY CAGE LADDER BRACKET BELL	4	4	4	4	4
20	D61-0097	LADDER MOUNTING BRACKET	3	3	3	3	3
21	D61-0092	L.H. LADDER SIDE RAIL	1	1	1	1	1
22	D01-0062	FRONT DIAGONAL SUPPORT	2	2	2	2	2
23	D51-0022	CONTROL PANEL SUPPORT	6	6	6	6	6
24	D31-0129	DIAGONAL SUPPORT BRACKET	2	2	2	2	2
25	D01-0126	PLENUM TOP SHEET	14	18	20	22	26
26	D31-0055	COLUMN BULKHEAD	12	16	18	20	24
27	D01-0162	PLENUM BOTTOM CLOSURE PANEL, HINGED	7	9	10	11	13
28	D31-0012	PLENUM WALL	14	18	20	22	26
29	D01-0109	HOPPER BULKHEAD	12	16	18	20	24
30	D61-0038	BULKHEAD STIFFENER BAR	24	32	36	40	48
31	D61-0020	ATTACH BRACKET - WIND BUTTRESS	12	12	12	16	16
32	D31-0013	OUTSIDE WALL SHEET (STANDARD)	14	18	20	22	26
	D31-0040	OUTSIDE WALL SHEET (STAINLESS STEEL)					
33	D01-0127	ROOF SHEET (STANDARD)	14	18	20	22	26
	D01-0265	ROOF SHEET (STAINLESS STEEL)					
34	D01-0152	TOP EDGE ANGLE GUSSET, L.H.	14	18	20	22	26
35	D01-0153	TOP EDGE ANGLE GUSSET, R.H.	2	2	2	2	2
36	D01-0090	CONTROL PANEL MOUNTING BRACKET	3	3	3	3	3
37	D31-0003	TOP EDGE ANGLE SPLICE	2	2	2	4	4
38	D31-0004	TOP EDGE ANGLE 95.875"	2	2		4	4
	D21-0003	TOP EDGE ANGLE 71.875"	2			2	
	D01-0168	TOP EDGE ANGLE 119.875"		2	4		2
39	D51-0021	FAN SUPPORT STIFFNER	2	2	2	2	2
40	D01-0101	GARNER BULKHEAD	12	16	18	20	24
41	D61-0013	MODULE SUPPORT PAD	8	8	8	10	10
42	D61-0021	BODY TIE IN GUSSET L.H.	8	8	8	10	10
	D61-0022	BODY TIE IN GUSSET R.H.	8	8	8	10	10
43	D61-0012	CRANE BRACKET	4	4	4	4	4
44	D61-0019	MODULE TIE BRACE	8	8	8	12	12
45	D61-0110	34" VERTICAL SUPPORT	5	5	5	5	5
46	D01-0428	PLENUM BOTTOM SHEET	14	18	20	22	26
47	D61-0072	BOTTOM CONNECTING GUIDE (5 COLUMN)		2	4		4
	D71-0014	BOTTOM CONNECTING GUIDE (3 COLUMN)	2			2	2
	D01-0930	BOTTOM CONNECTING GUIDE (4 COLUMN)	2	2		4	
48	D61-0073	OUTER CONNECTING SHEET (STANDARD)	14	18	20	22	26
	D61-0076	OUTER CONNECTING SHEET (STAINLESS)					

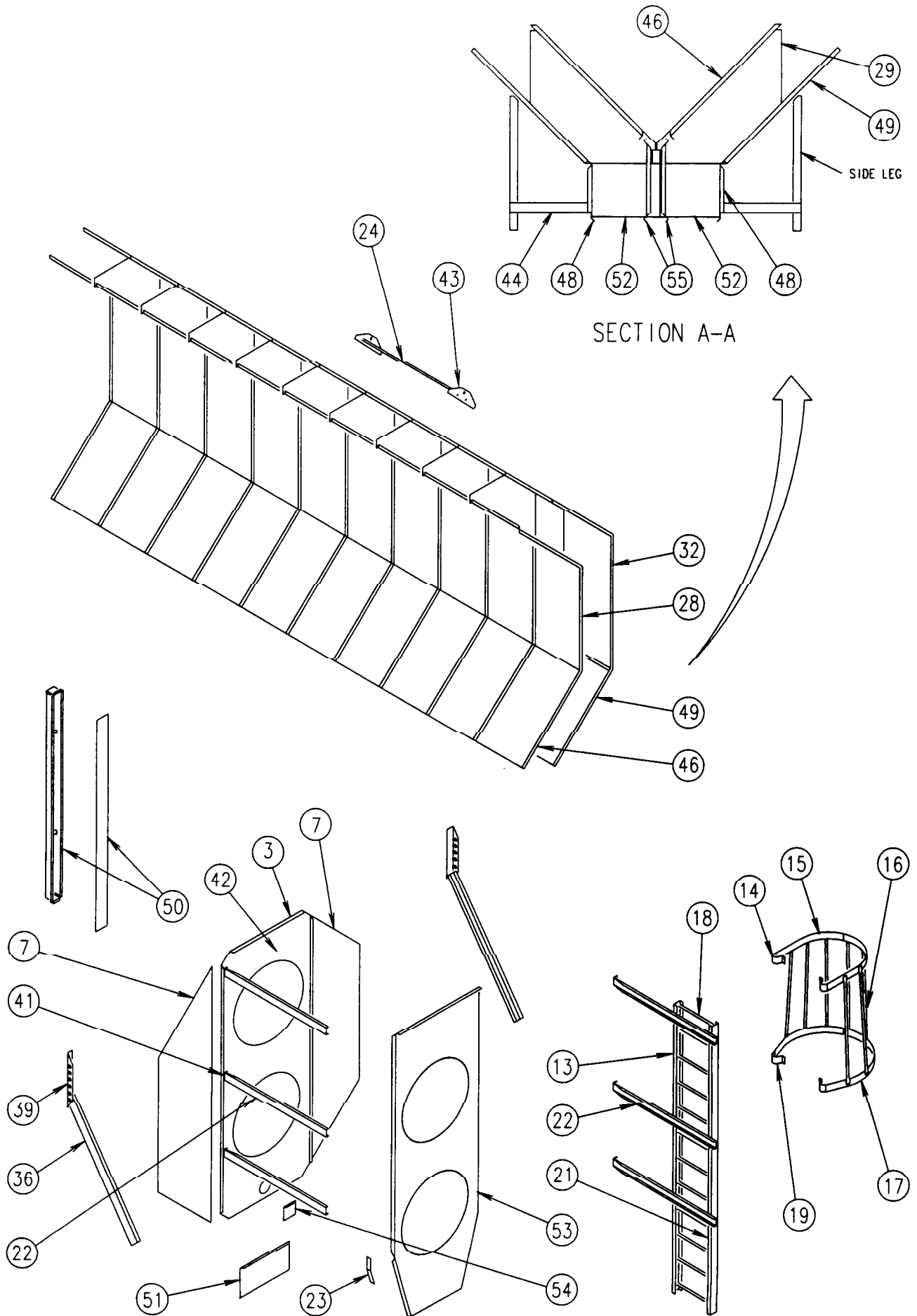
**STACK DRYERS  
MIDDLE MODULE**

REF NO.	PART NO.	DESCRIPTION	QTY				
			3614	3618	3620	3622	3626
49	D01-0128	HOPPER SHEET (STANDARD)	14	18	20	22	26
	D01-0267	HOPPER SHEET (STAINLESS STEEL)					
50	D61-0145	WIRE WAY ASSEMBLY	1	1	1	1	1
51	D61-0077	END CONNECTING SECTION	1	1	1	1	1
52	D61-0103	BULKHEAD CONNECTING EXTENSION	12	16	18	20	24
53	D01-0593	FAN HEATER FRONT SUPPORT	1				
	D61-0041	FAN HEATER FRONT SUPPORT		1	1	1	
	D71 0008	FAN HEATER FRONT SUPPORT					1
54	D01-0076	ACCESS DOOR	1	1	1	1	1
55	D61-0017	INNER CONNECTING SHEET	14	18	20	22	26
56	D01-0594	FRONT END PANEL	1				
	D61-0018	FRONT END PANEL		1	1	1	
	D71-0006	FRONT END PANEL					1
57	D31-0259	PLENUM DIVIDER CLEAN OUT DOOR	1	1	1	1	1
58	D31-0260	CLEAN OUT DOOR GUIDE	2	2	2	2	2
59	D61-0027	L.H. REAR PLENUM DIVIDER SHEET	1	1	1	1	1
60	D61-0025	L.H. PLENUM DIVIDER SHEET	6	8	9	10	12
61	D61-0024	PLENUM SUPPORT CHANNEL	8	10	11	12	14
62	D61-0026	R.H. PLENUM DIVIDER SHEET	6	8	9	10	12
63	D61-0028	R.H. REAR PLENUM DIVIDER SHEET	1	1	1	1	1

# STACK DRYERS

## TOP MODULE





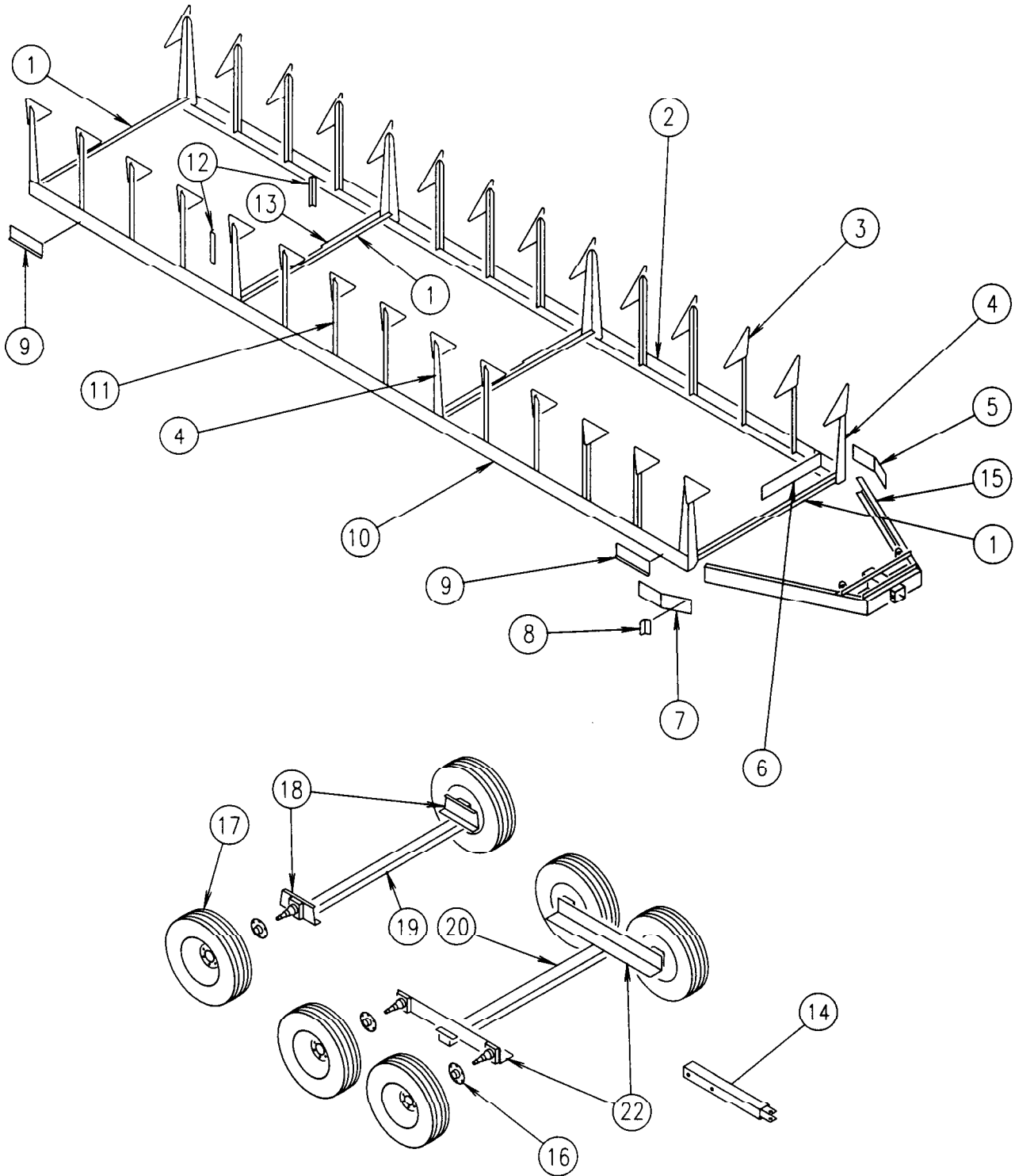
**STACK DRYERS  
TOP MODULE**

REF NO.	PART NO.	DESCRIPTION	QTY				
			3614	3618	3620	3622	3626
1	D01-0396	REAR DOOR ANGLES, TOP AND BOTTOM	2	2	2	2	2
2	D01-0395	REAR DOOR ANGLES, SIDES	2	2	2	2	2
3	D01-0044	TOP ANGLE BRACKET	2	2	2	2	2
4	D31-0161	DOOR HINGE BRACKET	2	2	2	2	2
5	D01-0397	REAR DOOR LATCH. BRACKET	2	2	2	2	2
6	ACD-4513	DOOR HANDLE	2	2	2	2	2
7	D71-0020	COLUMN END PANEL	4	4	4	4	4
8	D31-0297	TOP HINGE	2	2	2	2	2
9	ACD-4514	INSIDE HANDLE	2	2	2	2	2
10	D01-0394	REAR ACCESS DOOR	2	2	2	2	2
11	D31-0296	BOTTOM HINGE	2	2	2	2	2
12	D61-0215	REAR END PANEL	1	1	1	1	1
13	D61-0095	R.H. LADDER SIDE RAIL	2	2	2	2	2
14	LS-4349	OSHA SAFETY CAGE LADDER BRACKET STD	10	10	10	10	10
15	LS-4351	OSHA SAFETY CAGE HOOP HALF	10	10	10	10	10
16	LS-4353	44" VERTICAL SUPPORT	17	17	17	17	17
17	LS-4352	OSHA SAFETY CAGE HALF BELL HOOP	2	2	2	2	2
18	D61-0096	LADDER RUNG	24	24	24	24	24
19	LS-4350	OSHA SAFETY CAGE LADDER BRACKET BELL	2	2	2	2	2
20	D61-0097	LADDER MOUNTING BRACKET	3	3	3	3	3
21	D61-0092	L.H. LADDER SIDE RAIL	2	2	2	2	2
22	D51-0022	CONTROL PANEL SUPPORT	6	6	6	6	6
23	D61-0021	FAN SUPPORT STIFFNER	2	2	2	2	2
24	D61-0014	HOISTING SPREADER BAR	2	2	2	2	2
25	D01-0126	PLENUM TOP SHEET	14	18	20	22	26
26	D31-0055	COLUMN BULKHEAD	12	16	18	20	24
27	D01-0429	PLENUM BOTTOM CLOSURE PANEL, HINGED	7	9	10	11	13
28	D31-0012	PLENUM WALL	14	18	20	22	26
29	D01-0109	HOPPER BULKHEAD	12	16	18	20	24
30	D61-0038	BULKHEAD STIFFENER BAR	24	32	36	40	48
31	D61-0020	ATTACH BRACKET - WIND BUTTRESS	12	12	12	16	16
32	D31-0013	OUTSIDE WALL SHEET (STANDARD)	14	18	20	22	26
	D31-0040	OUTSIDE WALL SHEET (STAINLESS STEEL)					
33	D01-0127	ROOF SHEET (STANDARD)	14	18	20	22	26
	D01-0265	ROOF SHEET (STAINLESS STEEL)					
34	D01-0152	TOP EDGE ANGLE GUSSET, L.H.	14	18	20	22	26
35	D01-0153	TOP EDGE ANGLE GUSSET, R.H.	2	2	2	2	2
36	D01-0062	FRONT DIAGONAL SUPPORT	2	2	2	2	2
37	D31-0003	TOP EDGE ANGLE SPLICE	2	2	2	4	4
38	D31-0004	TOP EDGE ANGLE 95.875	2	2		4	4
	D21-0003	TOP EDGE ANGLE 71.875	2			2	
	D01-0168	TOP EDGE ANGLE 119.875		2	4		2
39	D31-0129	DIAGONAL SUPPORT BRACKET	2	2	2	2	2
40	D01-0101	GARNER BULKHEAD	12	16	18	20	24
41	D01-0090	CONTROL PANEL MOUNTING BRACKET	3	3	3	3	3
42	D01-0594	FRONT END PANEL	1				
	D61-0018	FRONT END PANEL		1	1	1	
	D71-0006	FRONT END PANEL					1
43	D61-0015	TOP MODULE CRANE BRACKET	4	4	4	4	4
44	D61-0019	MODULE TIE BRACE	8	8	8	12	12
45	D61-0110	34" VERTICAL SUPPORT	5	5	5	5	5
46	D01-0428	PLENUM BOTTOM SHEET	14	18	20	22	26

**STACK DRYERS  
TOP MODULE**

REF NO.	PART NO.	DESCRIPTION	QTY				
			3614	3618	3620	3622	3626
47	D61-0072	BOTTOM CONNECTING GUIDE (5 COLUMN)		2	4		4
	D71-0014	BOTTOM CONNECTING GUIDE (3 COLUMN)	2			2	2
	D01-0930	BOTTOM CONNECTING GUIDE (4 COLUMN)	2	2		4	
48	D61-0073	OUTER CONNECTING SHEET (STANDARD)	14	18	20	22	26
49	D61-0076	OUTER CONNECTING SHEET (STAINLESS)					
	D01-0128	HOPPER SHEET (STANDARD)	14	18	20	22	26
50	D01-0267	HOPPER SHEET (STAINLESS STEEL)					
	D61 0145	WIRE WAY ASSEMBLY	1	1	1	1	1
51	D61-0077	END CONNECTING SECTION	1	1	1	1	1
52	D61-0103	BULKHEAD CONNECTING EXTENSION	12	16	18	20	24
53	D01-0593	FAN HEATER FRONT SUPPORT	1				
	D61-0041	FAN HEATER FRONT SUPPORT		1	1	1	
54	D71-0008	FAN HEATER FRONT SUPPORT					1
	D01-0076	ACCESS DOOR	1	1	1	1	1
55	D61-0017	INNER CONNECTING SHEET	14	18	20	22	26
56	D31-0260	CLEAN OUT DOOR GUIDE	2	2	2	2	2
57	D31-0259	PLENUM DIVIDER CLEAN OUT DOOR	1	1	1	1	1
58	D61-0027	L.H. REAR PLENUM DIVIDER SHEET	1	1	1	1	1
59	D61-0025	L.H. PLENUM DIVIDER SHEET	6	8	9	10	12
60	D61-0024	PLENUM SUPPORT CHANNEL	8	10	11	12	14
61	D61-0026	R.H. PLENUM DIVIDER SHEET	6	8	9	10	12
62	D61-0028	R.H. REAR PLENUM DIVIDER SHEET	1	1	1	1	1

# STACK DRYERS MAIN FRAME



(21) TRANSPORT ASSEMBLY

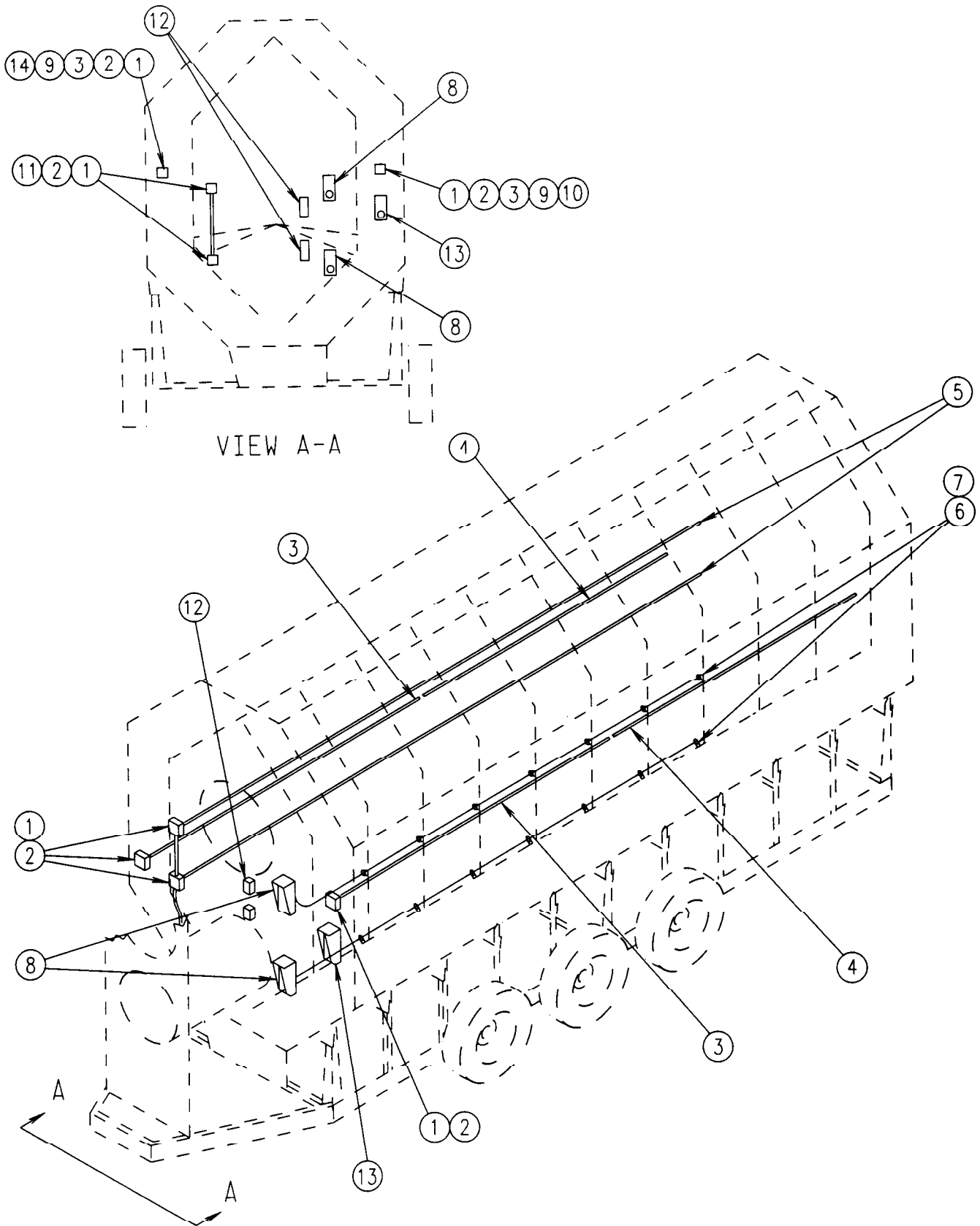


**STACK DRYERS  
MAIN FRAME**

REF NO.	PART NO.	DESCRIPTION	QTY				
			3614	3618	3620	3622	3626
1	D01-0008	FRONT & REAR FRAME TIE	3	3	3	4	4
2	D21-0010	SIDE RAIL ANGLE, L.H.	1				
	D31-0043	SIDE RAIL ANGLE, L.H.		1			
	D61-0001	SIDE RAIL ANGLE, L.H.			1		
	D101-0001	SIDE RAIL ANGLE, L.H.				1	
	D71-0002	SIDE RAIL ANGLE, L.H.					1
3	D01-0004	GUSSET PLATE	16	20	22	24	28
4	D01-0007	CORNER LEG	6	6	6	8	8
5	D01-0011	HITCH BRACKET, L.H.	1	1	1	1	1
6	D01-0016	MOTOR MOUNT BRACKET	2	2	2	2	2
7	D01-0012	HITCH BRACKET, R.H.	1	1	1	1	1
8	D61-0054	ATTACH BRACKET FOR SERVICE PLATFORM	2	2	2	2	2
9	D61-0011	FRAME TIE DOWN	4	4	4	4	4
10	D21-0011	SIDE RAIL ANGLE, R.H.	1				
	D31-0044	SIDE RAIL ANGLE, R.H.		1			
	D61-0002	SIDE RAIL ANGLE, R.H.			1		
	D101-0002	SIDE RAIL ANGLE, R.H.				1	
	D71-0001	SIDE RAIL ANGLE, R.H.					1
11	D01-0005	SIDE LEG	10	14	16	16	20
12	D01-0015	STIFFENER ANGLE	2	2	2	2	2
13	D31-0118	SECONDARY CROSS TIE ANGLE	1	1	1	2	2
14	D01-0022	HITCH INNER TUBE WELDMENT	1	1	1	1	1
15	D01-0029	TRANSPORT HITCH	1	1	1	1	1
16	D01-0188	HUB	4	6	6	6	8
17	D01-0189	TIRE & RIM ASSEMBLY	4	6	6	6	8
18	D01-0032	AXLE BRACKET WELDMENT		2	2	2	
19	D01-0023	AXLE CROSS CHANNEL		1	1	1	
20	D31-0061	TRANSPORT CROSS TUBE	1	1	1	1	2
21	TK-02-S	TRANSPORT KIT : 15, 16, 17, 18, 21	1				
	TK-03	TRANSPORT KIT : 15, 16, 17, 18, 19, 20, 21		1	1		
	TK-04	TRANSPORT KIT : 15, 16, 17, 18, 21					1
22	D31-0060	TRANSPORT WELDMENT	2	2	2	2	4

# STACK DRYERS

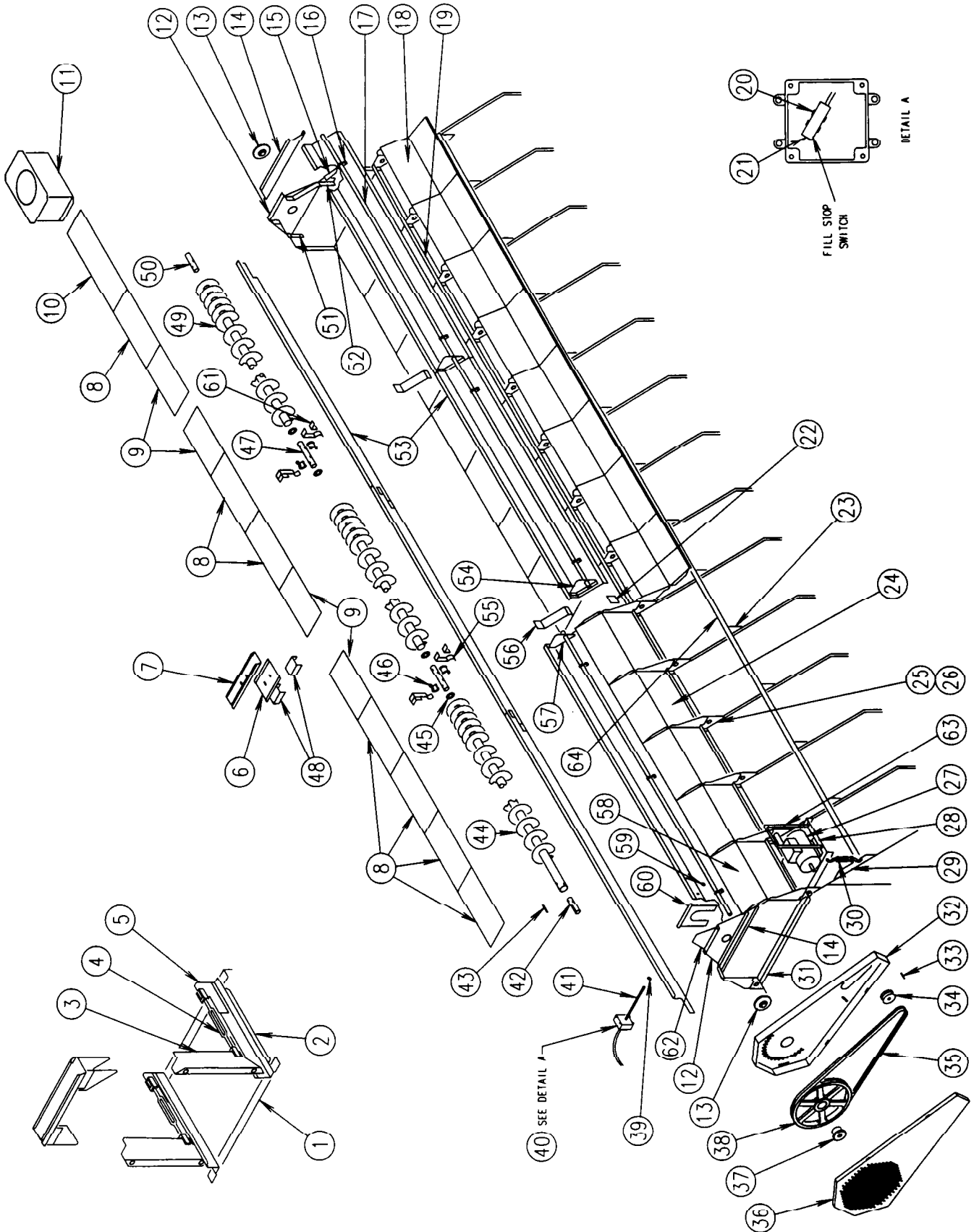
## LOCATION OF CAPILARY SENSORS



**STACK DRYERS**  
**LOCATION OF CAPILARY SENSORS**

REF. NO.	PART NO.	DESCRIPTION	QTY				
			3614	3618	3620	3622	3626
1	FH-6972	4" X 4" HANDY BOX	9	9	9	9	9
2	D01-0254	HI-LIMIT MOUNTING BRACKET	9	9	9	9	9
3	D31-0041	CONDUIT, COLUMN HI-LIMIT, 120" LONG	6	6	6	6	8
4	D21-0009 D31-0042 D01-0271	CONDUIT, COLUMN HI-LIMIT, 32" LONG CONDUIT, COLUMN HI-LIMIT, 80" LONG CONDUIT, COLUMN HI-LIMIT, 104" LONG	6	6	6	6	
5	D51-0024 D71-0019 D21-0018	CONDUIT, COLUMN HI-LIMIT, 24" LONG CONDUIT, COLUMN HI-LIMIT, 56" LONG 1/2" SCH 40 PIPE THREADED, 162"	6			6	6
	D31-0150 D61-0138 D101-0010	1/2" SCH 40 PIPE THREADED, 210" 1/2" SCH 40 PIPE THREADED, 234" 1/2" SCH 40 PIPE THREADED, 240"		6	6		6
6	D71-0018 D71-0015 D02-0023	1/2" SCH 40 PIPE THREADED, 252" 1/2" SCH 40 PIPE THREADED, 54" INSULATED CAPILLARY HOLDER	18	21	21	21	21
7	D01-0123	BRACKET	18	21	21	21	21
8	D01-0184 D03-0047	THERMOSTAT SENSOR HOUSING ASSY. TEMPERATURE CONTROL 110-290 DEG	6	6	6	6	6
9	D03-0062 D01-0275 D03-0045	THERMOMETER THERMOSTAT SENSOR HOUSING SUB ASSY. RTD TEMPERATURE SENSOR	6	6	6	6	6
10	D03-0005	FIXED GRAIN HI-LIMIT THERMOSTAT	6	6	6	6	6
11	D03-0004	PLENUM HI-LIMIT THERMOSTAT	6	6	6	6	6
12	D01-0672	AIR SWITCH BOX ASSEMBLY	6	6	6	6	6
13	D03-0167 D03-0083	AIR SWITCH TEMPERATURE CONTROL	6	6	6	6	6
14	D03-0041	ADJUSTABLE GRAIN HI-LIMIT THERMOSTAT	3	3	3	3	3
			1	1	1	1	1

# STACK DRYERS TOP AUGER



## STACK DRYERS

### TOP AUGER

REF NO.	PART NO.	DESCRIPTION	QTY				
			3614	3618	3620	3622	3626
1	D31-0007	WET BIN MOUNTING ANGLE	2	2	2	4	4
2	D01-0443	WET BIN LIFT MOUNTING BASE	2	2	2	4	4
3	D31-0019	TOP AUGER CENTER SUPPORT	2	2	2	4	4
4	D32-0003	TURN BUCKLE	2	2	2	4	4
5	D31-0016	TURN BUCKLE EAR	2	2	2	4	4
6	D31-0015	TOP AUGER CENTER BEARING SUPPORT	2	2	2	4	4
7	D31-0011	CENTER STABILIZER BEAM	1	1	1	2	2
8	D01-0384	TOP AUGER COVER, 24.250"	3	5	6	5	7
9	D31-0309	TOP AUGER COVER, 20.250"				4	4
10	D01-0385	TOP AUGER COVER, 30.25"	1	1	1	1	1
11	D01-0193	FILL HOPPER ASSEMBLY	1	1	1	1	1
12	D31-0028	TOP AUGER HOUSING END	2	2	2	2	2
13	D32-0001	1 1/2" FLANGELETTE BEARING	2	2	2	2	2
14	D01-0156	AUGER HOUSING END TIE CHANNEL	2	2	2	2	2
15	D01-0432	WET BIN END	2	2	2	2	2
16	D01-0140	HAND RAIL HANGER BRACKET	8	8	8	12	14
17	D21-0001	HAND RAIL, 71.75"	2			2	
	D31-0006	HAND RAIL, 95.75"	2	2		2	
	D01-0151	HAND RAIL, 119.75"		2	4		4
18	D01-0438	WET BIN RIGHT SIDE END SECTION	2	2	2	2	2
19	D31-0004	TOP EDGE ANGLE, 95.875 "	2	2	2	4	4
	D21-0003	TOP EDGE ANGLE, 71.875"	2			4	
	D01-0168	TOP EDGE ANGLE, 119.875"		2	2		4
20	SPD-2098	MERCURY SWITCH CLIP	2	2	2	2	2
21	D03-0010	MERCURY SWITCH	2	2	2	2	2
22	D31-0003	TOP EDGE ANGLE SPLICE	2	2	2	4	4
23	D01-0113	LADDER BRACKET	28	32	34	36	40
24	D01-0436	WET BIN SIDE SECTION	10	14	16	18	22
25	D01-0153	TOP EDGE ANGLE GUSSET R.H.	2	2	2	2	2
26	D01-0152	TOP EDGE ANGLE GUSSET L.H.	14	18	20	22	26
27	500-1	5 HP MOTOR 1-PH	1				
	500-3	5 HP MOTOR 3-PH	1	1			
	712-3	7.5 HP MOTOR 3-PH 230V 1750 RPM			1	1	
	1000-3	10 HP MOTOR 3-PH 230V 1750 RPM					1
28	D01-0173	TOP MOTOR MOUNT	1	1	1	1	1
29	D01-0170	MOTOR MOUNT ANCHOR BRACKET	1	1	1	1	1
30	D01-0465	TOP MOTOR BELT TIGHTENER	1	1	1	1	1
31	D01-0044	TOP ANGLE BRACKET	4	4	4	4	4
32	D01-0453	TOP AUGER BELT GUARD BODY	1	1	1	1	1
33	D01-0098	KEY 1/4" X 1/4" X 1"	1	1	1	1	1
34	D32-0024	MOTOR SHEAVE	1	1			
	D62-0003	MOTOR SHEAVE			1	1	1
35	D01-0464	DRIVE BELT SET	2	2	2	2	2
36	D01-0452	TOP AUGER BELT GUARD COVER	1	1	1	1	1
37	D32-0019	TOP AUGER SHEAVE BUSHING 1 1/2"	1	1	1	1	1
38	D52-0001	TOP AUGER SHEAVE	1	1	1	1	1
39	D02-0026	MERCURY SWITCH SHAFT BUSHING	2	2	2	2	2
40	D01-0192	MERCURY SWITCH ASSEMBLY	1	1	1	1	1
41	D01-0103	MERCURY SWITCH SHAFT	1	1	1	1	1
42	D31-0090	AUGER STUB SHAFT	1	1	1	1	1
43	D31-0137	3/8" X 3/8" X 2 1/2" LONG KEY	1	1	1	1	1
44	D21-0015	FRONT AUGER	1			1	
	D31-0092	FRONT AUGER		1	1		1

# STACK DRYERS

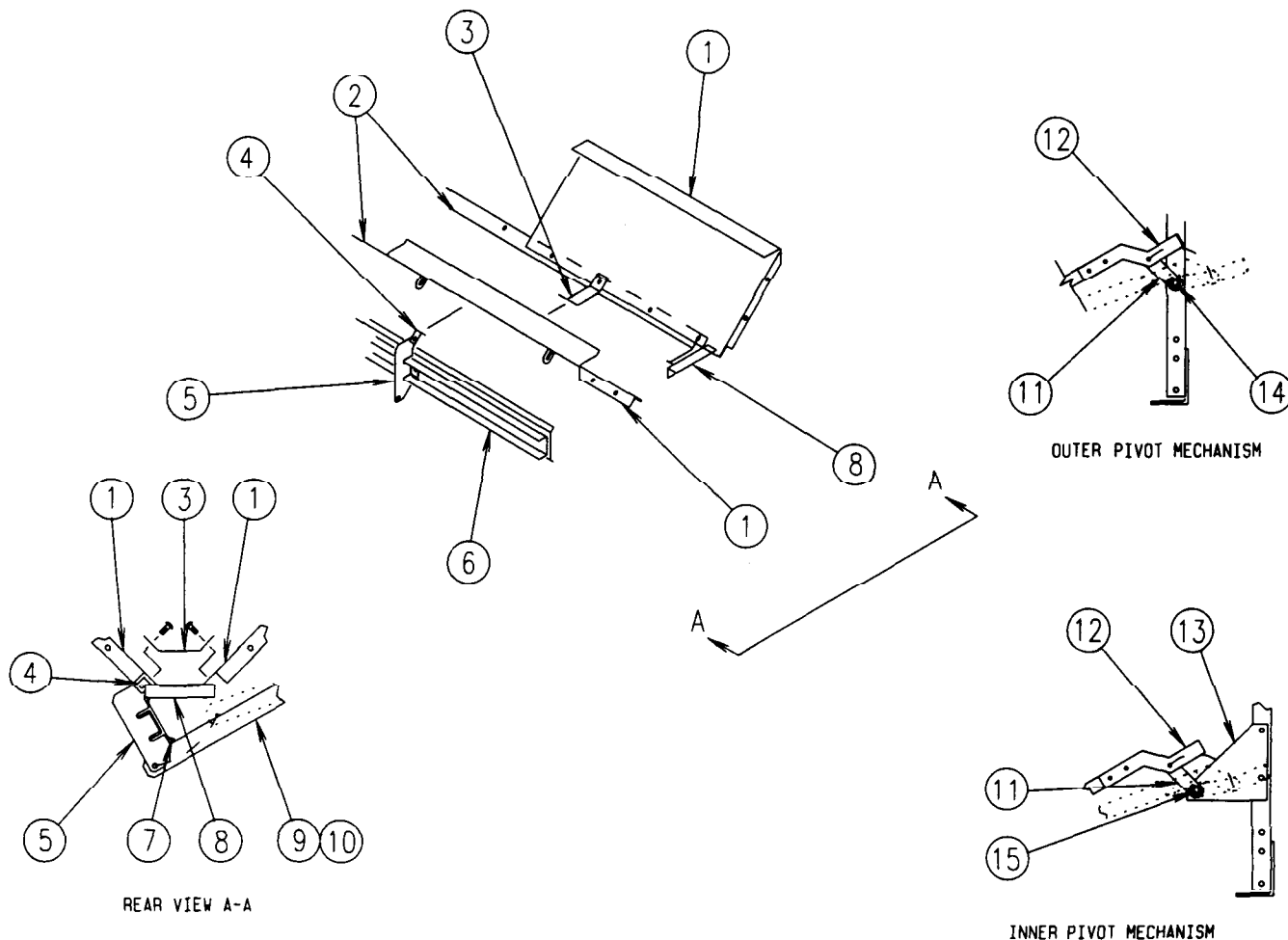
## TOP AUGER

REF NO.	PART NO.	DESCRIPTION	QTY				
			3614	3618	3620	3622	3626
45	D31-0048	MACHINE WASHER 1 1/2" X 2 1/4"	2	2	2	4	4
46	D31-0026	1 1/2" AUGER HANGER BEARING	1	1	1	2	2
47	D31-0076	AUGER SPLICE SHAFT	1	1	1	2	2
48	D31-0009	GUSSET ATTACHMENT BRACKET	2	2	2	4	4
49	D31-0267	REAR AUGER	1	1		2	2
	D31-0092	REAR AUGER			1		
50	D31-0005	TOP AUGER STUB SHAFT	1	1	1	1	1
51	D01-0147	TOP AUGER HOUSING HINGE L.H.	2	2	2	2	2
52	D01-0148	TOP AUGER HOUSING HINGE R.H.	2	2	2	2	2
53	D21-0002	TOP AUGER TROUGH SIDE, 71.875"			2		
	D31-0010	TOP AUGER TROUGH SIDE, 95.875"	4		2	2	
	D01-0161	TOP AUGER TROUGH SIDE, 119.875"		4		4	
54	D31-0002	HAND RAIL CENTER GUSSET R.H.	2	2	2	4	4
55	D31-0024	TOP AUGER BEARING HANGER	2	2	2	4	4
56	D31-0008	TOP AUGER TROUGH SPLICE	2	2	2	4	4
57	D31-0001	HAND RAIL CENTER GUSSET L.H.	2	2	2	4	4
58	D01-0437	WET BIN LEFT SIDE END SECTION	2	2	2	2	2
59	D02-0026	MERCURY SWITCH SHAFT BUSHING	2	2	2	2	2
60	D01-0167	MERCURY SWITCH PADDLE	1	1	1	1	1
61	D31-0022	HANGER BEARING BRACE	2	2	2	4	4
62	D01-0155	BELT GUARD MOUNTING BRACKET	1	1	1	1	1
63	D01-0424	TOP HAND HOLD	1	1	1	1	1
64	D31-0014	WET BIN TRANSPORT ANGLE 96"	2	2		4	4
	D21-0003	WET BIN TRANSPORT ANGLE 72"	2			2	
	D01-0168	WET BIN TRANSPORT ANGLE 120"		2	4		2

# STACK DRYERS

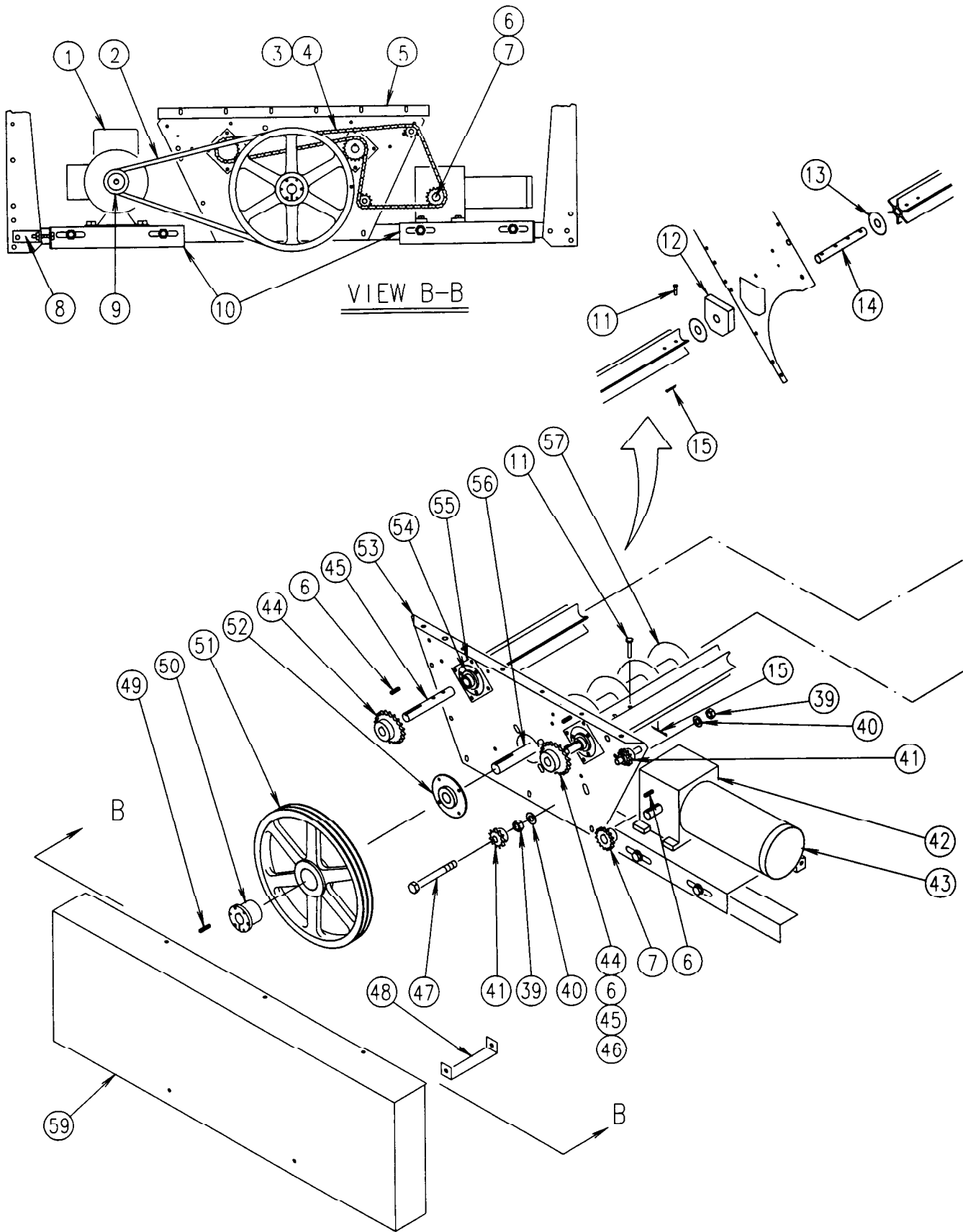
## BOTTOM AUGER CLEAN-OUT

REF NO.	PART NO.	DESCRIPTION	QTY				
			3614	3618	3620	3622	3626
1	D01-0048	TROUGH PANEL WELDMENT	14	18	20	22	26
2	D31-0023	CLEAN-OUT EXTENSION, 90.75"	2	2		4	4
	D01-0181	CLEAN-OUT EXTENSION, 114.75"		2	4		2
	D21-0006	CLEAN-OUT EXTENSION, 66.75"	2			2	
3	D01-0177	CLEAN-OUT SUPPORT STRAP	7	10	11	12	14
4	D01-0175	CLEAN-OUT HINGE BRACKET	4	5	6	6	7
5	D01-0308	CLEAN-OUT HINGE	4	5	6	6	7
6	D31-0130	CLEAN-OUT DOOR SUPPORT CHANNEL 8'	1	1		2	2
	D01-0307	CLEAN-OUT DOOR SUPPORT CHANNEL 10'		1	2		1
	D21-0012	CLEAN-OUT DOOR SUPPORT CHANNEL 6'	1			1	
7	D31-0021	CLEAN-OUT DOOR, 91"	1	1		2	2
	D01-0180	CLEAN-OUT DOOR, 115"		1	2		1
	D21-0005	CLEAN-OUT DOOR, 67"	1			1	
8	D01-0185	CLEAN-OUT END SEAL WELDMENT	4	4	4	6	6
9	D01-0261	LONG LINKAGE BAR, 37.25"	2	2	2	2	2
10	D01-0293	LONG LINKAGE BAR, 30.188"	2	2	2	4	4
11	D01-0296	SHORT LINKAGE BAR WELDMENT	4	4	4	6	6
12	D01-0294	CLEAN-OUT DOOR HANDLE	4	4	4	6	6
13	D01-0299	PIVOT ROD BRACKET	3	3	3	6	6
14	D01-0264	PIVOT ROD, 25.188"	2	2	2	2	2
15	D31-0162	PIVOT ROD, 49.625"	1	1	1	2	2

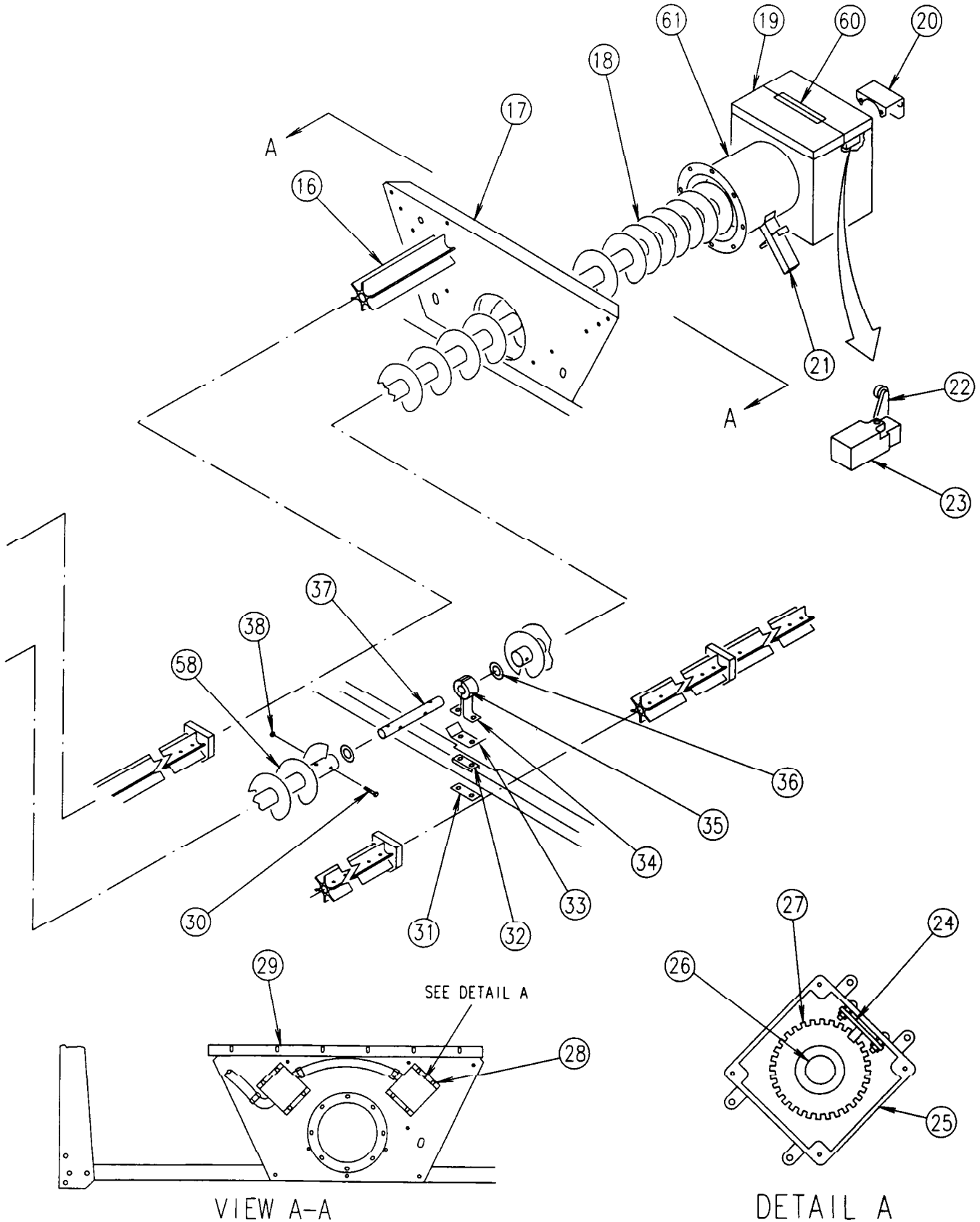


# STACK DRYERS

## BOTTOM AUGER AND METERING ROLLS







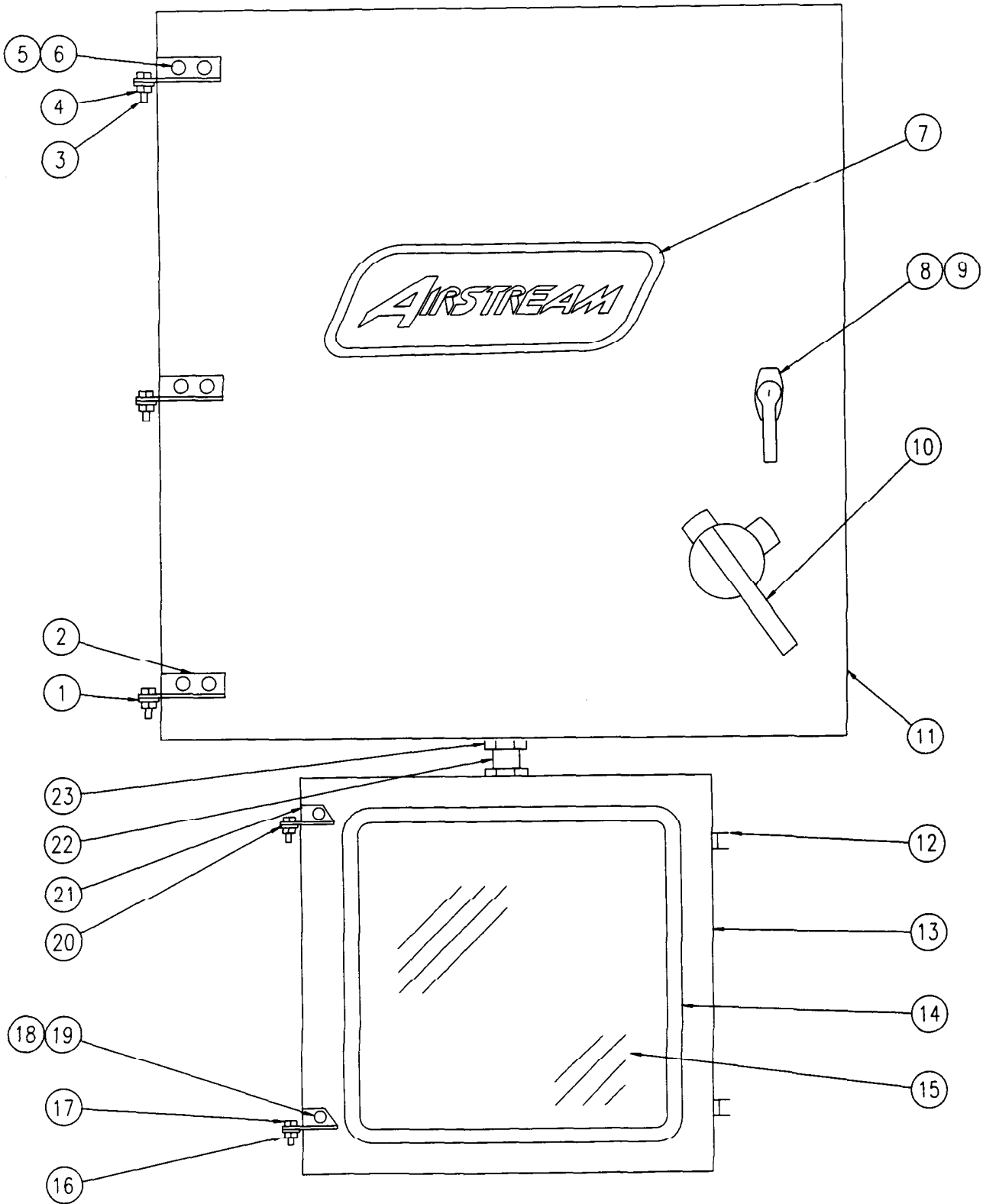
**STACK DRYERS**  
**BOTTOM AUGER AND METERING ROLLS**

REF NO.	PART NO.	DESCRIPTION	QTY				
			3614	3618	3620	3622	3626
1	500-1 500-3 712-3	MOTOR 5 HP 1-PH MOTOR 5 HP 3-PH MOTOR 7.5 HP 3-PH	1 1	1	1	1	1
2	1000-3 D32-0023 D02-0080	MOTOR 10 HP 3-PH BELT BX80 BELT BX75 (3 PH UNITS)	2 2	2 2	2 2	2 2	1 2
3	D02-0031	CHAIN LINK NO. 40	1	1	1	1	1
4	D01-0404	85" CHAIN NO. 40	1	1	1	1	1
5	D01-0461	BOTTOM ANGLE BRACKET FRONT	1	1	1	1	1
6	D01-0098	KEY 1/4" X 1/4" X 1"	3	3	3	3	3
7	D02-0004	SPROCKET H4015-1	1	1	1	1	1
8	D01-0017	MOTOR ADJUSTMENT BRACKET	1	1	1	1	1
9	D32-0024	SHEAVE 2BK32 (1 1/8" BORE)	1	1			
	D62-0003	SHEAVE 2BK40 (1 3/8" BORE)			1	1	1
10	D01-0081	GEAR BOX MOUNTING BRACKET	2	2	2	2	2
11	D02-0028	CLEVIS PIN 5/16" X 1 3/4"	32	40	40	48	56
12	D02-0061	METER ROLL SUPPORT BEARING	6	8	8	10	12
13	D31-0148	METER ROLL WASHER	12	16	16	20	24
14	D31-0046	METER ROLL SPLICE SHAFT	6	8	8	10	12
15	S-6368	COTTER PIN 1/8" DIA X 3/4" LONG	32	40	40	48	56
16	D31-0031	METERING ROLL 47 1/4"	2	2	4	2	2
	D31-0030	METERING ROLL 46 11/16"	4	6	6	8	10
	D31-0029	METERING ROLL 23 5/16"	2	2		2	2
17	D31-0120	DISCHARGE PLATE MOUNT	1	1	1	1	1
18	D01-0807	REAR AUGER	1	1		1	1
	D61-0184	REAR AUGER			1		
	D61-0327	REAR STUB AUGER			1		
	D31-0025	BEARING HANGER BRACKET			1		
	D31-0026	1 1/2" OIL IMPREGNATED WOOD BEARING			1		
	D31-0048	BEARING THRUST WASHER			1		
19	D01-0481	GRAIN DISCHARGE BOX	1	1	1	1	1
20	D31-0073	AUGER SHAFT GUARD	1	1	1	1	1
21	D01-0405	GRAIN SAMPLER	1	1	1	1	1
22	TAF-6007	AUGER LIMIT SWITCH HEAD	1	1	1	1	1
23	D03-0100	AUGER LIMIT SWITCH	1	1	1	1	1
24	D01-0527	SPEED SENSOR BOARD	2	2	2	2	2
25	FH-6972	4" X 4" HANDY BOX	2	2	2	2	2
26	D01-0272	METER ROLL STUB SHAFT 1"	2	2	2	2	2
27	D01-0451	MONITORING GEAR	2	2	2	2	2
28	D01-0462	SPEED SENSOR BOX BRACKET	2	2	2	2	2
29	D01-0043	BOTTOM ANGLE BRACKET REAR	1	1	1	1	1
30	S-7013	7/16"-14 X 2 1/2" HEXHEAD BOLT	8	8	12	12	12
31	D31-0062	TWO BOLT SPACER PLATE	1	1	2	1	1
32	D31-0063	SHIM, CENTER BEARING HANGER	1	1	2	1	1
33	D31-0064	SPACER PLATE, CENTER BEARING	1	1	2	1	1
34	D31-0025	BOTTOM AUGER BEARING HANGER	2	2	4	2	2
35	D31-0026	1 1/2" AUGER HANGER BEARING	1	1	2	2	2
36	D31-0048	HANGER BEARING THRUST WASHER	2	2	4	2	2
37	D31-0076	AUGER SPLICE SHAFT	1	1	2	2	2
38	S-7170	7/16"-14 LOCKNUT	4	4	12	12	12
39	S-836	HEX NUT 5/8"-11	4	4	4	4	4
40	S-858	FLAT WASHER 5/8"	4	4	4	4	4

**STACK DRYERS**  
**BOTTOM AUGER AND METERING ROLLS**

REF NO.	PART NO.	DESCRIPTION	QTY				
			3614	3618	3620	3622	3626
41	D01-0196	SPROCKET IDLER ASSEMBLY	2	2	2	2	2
42	D32-0002	WORM GEAR BOX 50:1 RIGHT ANGLE	1	1	1	1	1
43	D02-0004	MOTOR 3/4 HP DC 1750 TEFC 180 V	1	1	1	1	1
44	D02-0029	SPROCKET 40H30	2	2	2	2	2
45	D01-0006	METER ROLL DRIVESHAFT	2	2	2	2	2
46	D02-0007	BUSHING H-1	1	1	1	1	1
47	S-7011	5/8" X 3 1/2" BOLT	2	2	2	2	2
48	D01-0065	BEARING SHIELD SPACER	2	2	2	2	2
49	D31-0137	KEY 3/8" X 3/8" X 2 1/2"	1	1	1	1	1
50	D32-0019	BUSHING Q1 X 1 1/2"	1	1	1	1	1
51	D52-0001	SHEAVE 2TB160	1	1	1	1	1
52	D32-0001	FLANGETTE BEARING 1 1/2"	2	2	2	2	2
53	D31-0049	AUGER BEARING PLATE	1	1	1	1	1
54	D02-0002	FLANGETTE BEARING 1"	4	4	4	4	4
55	D01-0003	ADAPTOR PLATE	4	4	4	4	4
56	D31-0316	AUGER END SHAFT	1	1	1	1	1
57	D21-0017	FRONT AUGER	1			1	
	<del>D01-0804</del>	<del>FRONT AUGER</del>					
58	D31-0092	FRONT AUGER		1	1		1
	D31-0267	MIDDLE AUGER				1	1
59	D01-0268	SCR DRIVE BEARING SHIELD	1	1	1	1	1
60	D01-0688	HINGE	1	1	1	1	1
61	D31-0302	DISCHARGE AUGER TUBE	1	1	1	1	1

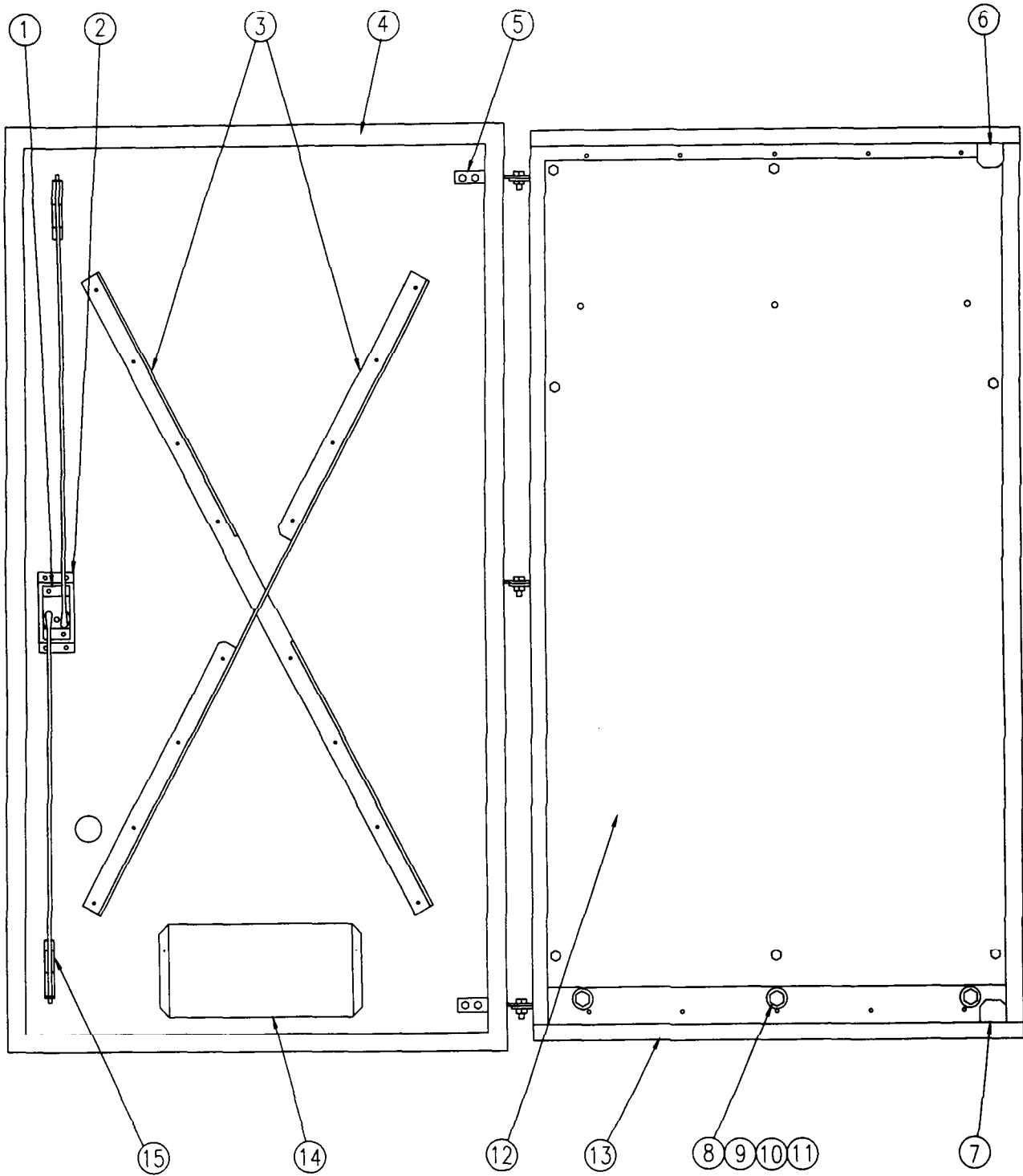
# STACK DRYERS POWER AND CONTROL BOX



**STACK DRYERS  
POWER AND CONTROL BOX**

REF NO.	PART NO.	DESCRIPTION	QTY				
			3614	3618	3620	3622	3626
1	D01-0217	POWER BOX HINGE SEGMENT	2	2	2	2	2
2	D01-0216	POWER BOX DOOR, HINGE SEGMENT	2	2	2	2	2
3	S-4275	HEX HEAD BOLT 5/16" - 18 X 3/4"	2	2	2	2	2
4	S-5220	HEX LOCKNUT 5/16"-18	2	2	2	2	2
5	S-3550	CARRIAGE BOLT 5/16"- 18 X 1"	8	8	8	8	8
6	S-5220	HEX LOCKNUT 5/16"-18	8	8	8	8	8
7	DC-452	AIRSTREAM DECAL	1	1	1	1	1
8	D02-0034	DOOR HANDLE (LOCKING)	1	1	1	1	1
9	D02-0045	DOOR HANDLE GASKET	1	1	1	1	1
10	D01-0505	SAFETY DISCONNECT 230V 250 AMPS & UP	1	1	1	1	1
	D01-0520	SAFETY DISCONNECT 480V 250 AMPS & UP	1	1	1	1	1
	D03-0030	SAFETY DISCONNECT 225 AMPS & DOWN	1	1	1	1	
11	D01-0540	POWER BOX DOOR (LARGE HANDLE)	1	1	1	1	1
	D01-0479	POWER BOX DOOR (SMALL HANDLE)	1	1	1	1	1
12	FH4429-1	SPRING LATCH	2	2	2	2	2
13	D01-0485	CONTROL BOX DOOR	1	1	1	1	1
14	D02-0036	WINDOW WEATHERSTRIP	1	1	1	1	1
15	D01-0517	CONTROL BOX WINDOW	1	1	1	1	1
16	S-5220	HEX LOCKNUT 5/16"-18	2	2	2	2	2
17	S-4275	HEX HEAD BOLT 5/16"-18 X 3/4"	2	2	2	2	2
18	S-3550	CARRIAGE BOLT 5/16"-18 X 1"	2	2	2	2	2
19	S-5220	HEX LOCKNUT 5/16"-18	2	2	2	2	2
20	D01-0509	CONTROL BOX HINGE SEGMENT	2	2	2	2	2
21	D01-0508	CONTROL BOX DOOR HINGE SEGMENT	2	2	2	2	2
22	D01-0654	GALVANIZED CONDUIT	1	1	1	1	1
23	D01-0511	COMPRESSION FITTING	2	2	2	2	2
	D01-0512	SEAL FOR FITTING	2	2	2	2	2

# STACK DRYERS POWER BOX

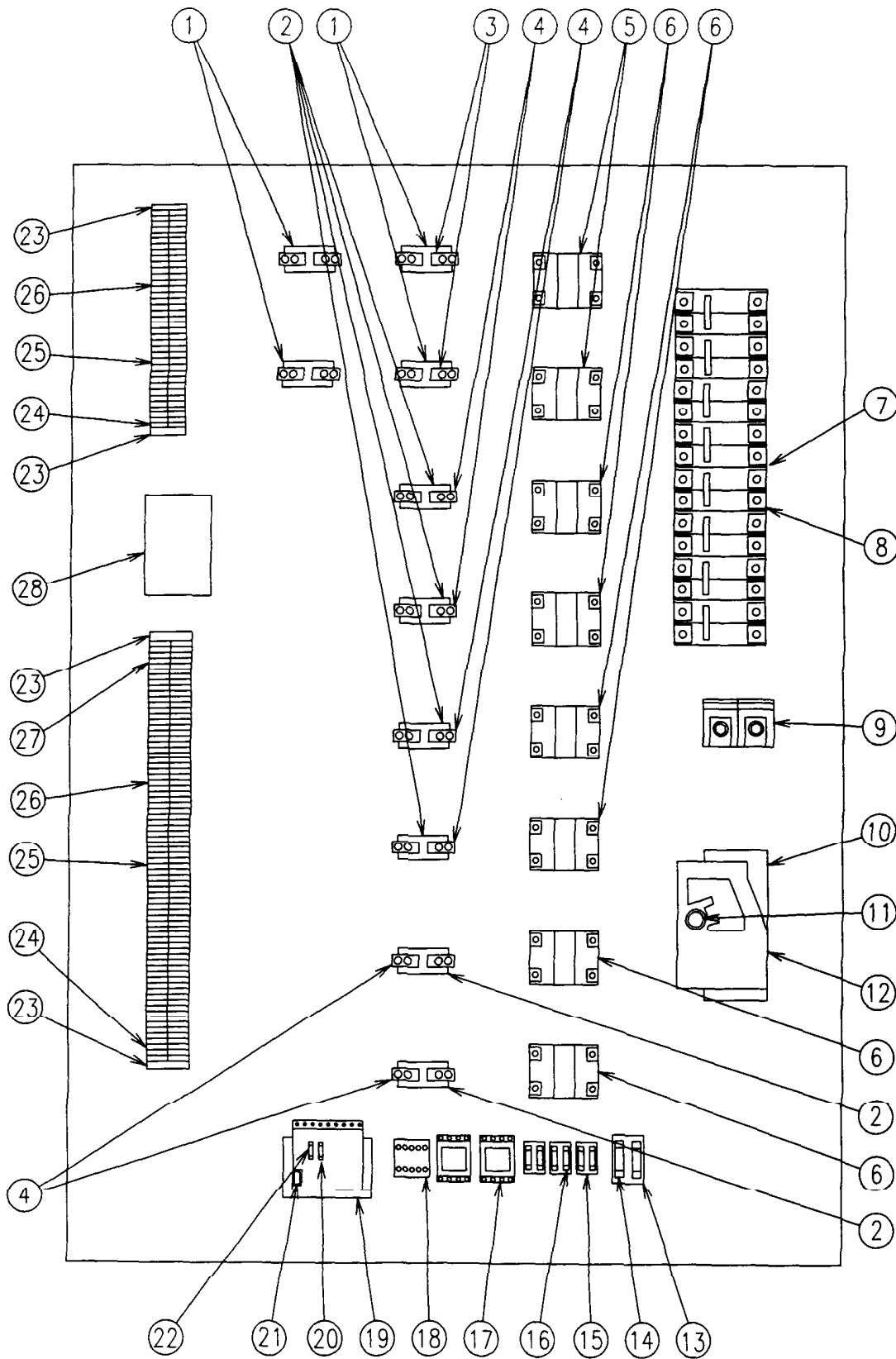


**STACK DRYERS**  
**POWER BOX**

REF NO.	PART NO.	DESCRIPTION	QTY				
			3614	3618	3620	3622	3626
1	D01-0547	POWER BOX DOOR LATCH MECHANISM	1	1	1	1	1
2	D01-0549	POWER BOX DOOR LATCH BRACKET	1	1	1	1	1
3	D01-0673	POWER BOX DOOR STIFFNERS	2	2	2	2	2
4	D02-0049	1/4" X 3/4" X 150" WEATHERSTRIP	1	1	1	1	1
5	D01-0215	BACK UP PLATE, POWER BOX DOOR HINGE	2	2	2	2	2
6	D01-0551	DOOR LATCH, CATCH ANGLE TOP	1	1	1	1	1
7	D01-0550	DOOR LATCH, CATCH ANGLE BOTTOM	1	1	1	1	1
8	S-6526	HEX HEAD BOLT 3/8"-16 X 2 1/4"	3	3	3	3	3
9	S-248	FLATWASHER 3/8"	12	12	12	12	12
10	S-456	3/8"-16 HEX NUT	6	6	6	6	6
11	D02-0043	RUBBER SHOCK MOUNT	6	6	6	6	6
12	D01-0480	POWER BOX BACK PANEL	1	1	1	1	1
13	D01-0558	POWER BOX BACK PANEL UPPER	1	1	1	1	1
	D01-0556	POWER BOX	1	1	1	1	1
	D01-0476	BOTTOM	1	1	1	1	1
14	D01-0477	TOP	1	1	1	1	1
	D01-0212	OWNERS MANUAL HOLDER	1	1	1	1	1
15	D01-0548	STANDOFF BRACKET	2	2	2	2	2

# STACK DRYERS

## POWER BOX, 1 PHASE BACK PANEL



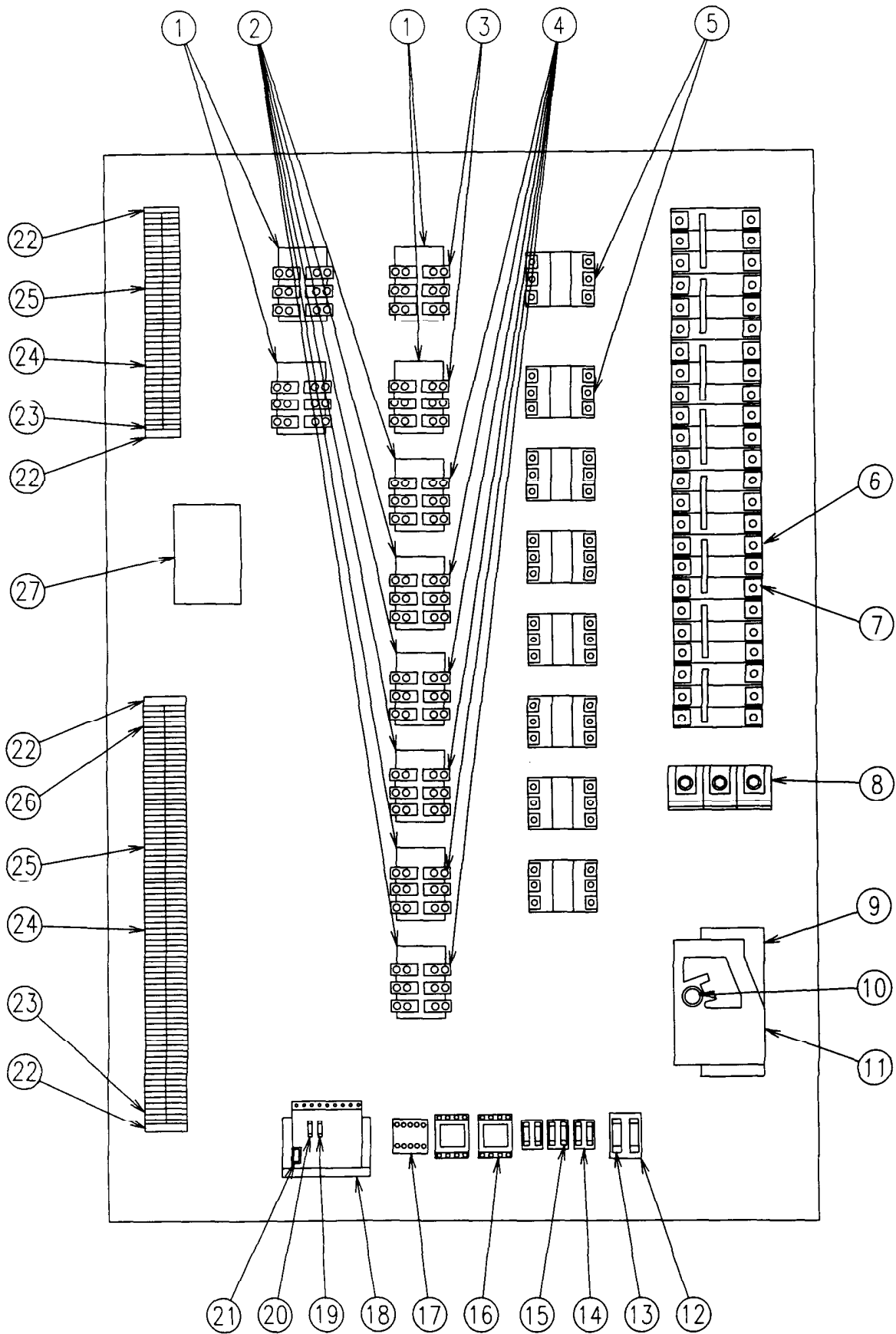


**STACK DRYERS**  
**POWER BOX, 1 PHASE BACK PANEL**

REF NO.	PART NO.	DESCRIPTION	QTY	
			3614	3618
1	CH-1027	45 AMP OVERLOAD RELAY	4	4
2	FH-6335	90 AMP OVERLOAD RELAY	6	6
3	FH-5447	C303B HEATER STRIP	2	2
4	FH-5452	F614B HEATER STRIP	6	6
5	D54-0001	75 AMP GE CONTACTOR	2	2
	FH-5573	75-90 AMP 120V COIL		
6	HH-1162	60 AMP GE CONTACTOR	6	6
	FH-5570	50-60 AMP 120V COIL		
7	D04-0009	CIRCUIT BREAKER MOUNTING PLATE	8	8
8	D04-0003	100 AMP 2 POLE CIRCUIT BREAKER	8	8
9	D03-0105	POWER DISTRIBUTION BLOCK 2-POLE	1	1
10	D01-0492	400 AMP 1PH BREAKER	1	1
11	D03-0029	DISCONNECT EXTENSION SHAFT	1	1
12	D04-0007	1 PH DISCONNECT MECHANISM	1	1
13	D36-0003	FUSE HOLDER	2	2
14	D36-0002	FUSE 250V 5AMP	2	2
15	FH-1058	DOUBLE FUSE HOLDER	4	4
16	FH-1059	FUSE 250V 5AMP	8	8
17	D33-0003	MONITOR RELAY	2	2
	07097462	MONITOR RELAY BASE	2	2
18	D03-0106	SCR CONTACTOR	1	1
19	D03-0104	D.C. DRIVE BOARD	1	1
20	D03-0093	25 AMP FUSE	1	1
21	D33-0001	PLUG IN RESISTOR 3/4 H.P.	1	1
22	07098628	8 AMP FUSE	1	1
23	D01-0533	END STOP	4	4
24	D01-0532	BLANK END	2	2
25	D01-0531	TERMINAL BLOCK 4 MM GRAY		
	D03-0150	TERMINAL BLOCK 10 MM YELLOW		
	D03-0152	TERMINAL BLOCK 12 MM GRAY		
26	D03-0013	DIN RAIL	2	2
27	D01-0534	GROUND BLOCK	4	4
28	FH-3807	500 VA CONTROL TRANSFORMER	1	1

# STACK DRYERS

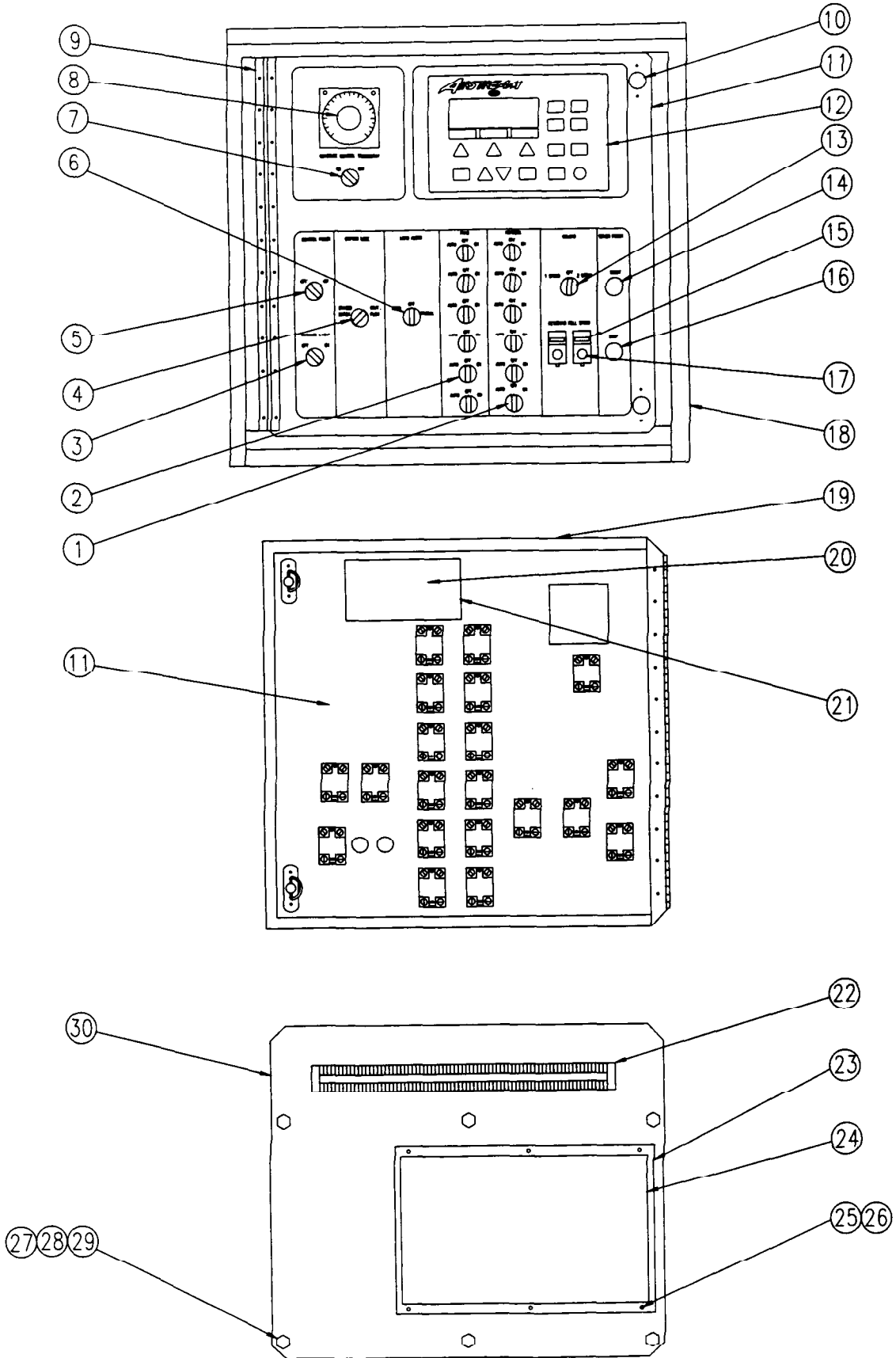
## POWER BOX, 3 PHASE BACK PANEL



**STACK DRYERS**  
**POWER BOX, 3 PHASE BACK PANEL**

REF NO.	PART NO.	DESCRIPTION	QTY				
			3614	3618	3620	3622	3626
1	D05-0001	45 AMP 3 POLE OVERLOAD RELAY	4	4	4	4	4
2	D05-0001	45 AMP 3 POLE OVERLOAD RELAY	6	6	6	6	
	TFC-0056	90 AMP 3 POLE OVERLOAD RELAY					6
3	FH-5440	C163B HEATER STRIP	6	6			
	FH-5444	C228B HEATER STRIP			6	6	
	FH-5447	C303B HEATER STRIP					6
4	FH-5458	C366B HEATER STRIP	6				
	FH-5447	C303B HEATER STRIP		6			
	FH-5739	C400B HEATER STRIP			6	6	
5	FH-5454	F772B HEATER STRIP					6
	D65-0004	50 AMP 3 POLE CONTACTOR	8	8			
	FH-5570	50-60 AMP 120 V COIL GE #55-B23A					
	D65-0005	75 AMP 3 POLE CONTACTOR			8	8	
	FH-5573	75-90 AMP 120 V COIL GE#55-B22A					
6	D04-0009	CIRCUIT BREAKER MOUNTING PLATE	8	8	8	8	8
7	D35-0002	60 AMP 3 POLE CIRCUIT BREAKER	8	8	6	6	
	D65-0001	90 AMP 3 POLE CIRCUIT BREAKER			2	2	8
8	D35-0001	POWER DISTRIBUTION BLOCK 3-POLE	1	1	1	1	1
9	D01-0498	200 AMP 240V BREAKER	1	1	1	1	1
10	D03-0029	DISCONNECT EXTENSION SHAFT	1	1	1	1	1
11	D05-0006	3 PHASE DISCONNECT MECHANISM	1	1	1	1	1
12	D36-0003	FUSE HOLDER	1	1	1	1	1
13	D36-0002	FUSE 250V 5AMP	2	2	2	2	2
14	FH-1058	DOUBLE FUSE HOLDER	3	3	3	3	3
15	FH-1059	FUSE 250V 5AMP	6	6	6	6	6
16	D33-0003	MONITOR RELAY	2	2	2	2	2
	07097462	MONITOR RELAY BASE	2	2	2	2	2
17	D03-0106	SCR CONTACTOR	1	1	1	1	1
18	D03-0104	D.C. DRIVE BOARD	1	1	1	1	1
19	D03-0093	25 AMP FUSE	1	1	1	1	1
20	07098628	8 AMP FUSE	1	1	1	1	1
21	D33-0001	PLUG IN RESISTOR 3/4 H.P.	1	1	1	1	1
22	D01-0533	END STOP	4	4	4	4	4
23	D01-0532	BLANK END	2	2	2	2	2
24	D01-0531	TERMINAL BLOCK 4 MM GRAY	70	70	70	70	70
	D03-0150	TERMINAL BLOCK 10 MM YELLOW	21	21	21	21	21
	D03-0013	DIN RAIL	2	2	2	2	2
26	D01-0534	GROUND BLOCK	5	5	5	5	5
27	D01-0619	500 VA CONTROL TRANSFORMER	1	1	1	1	

# STACK DRYERS CONTROL BOX



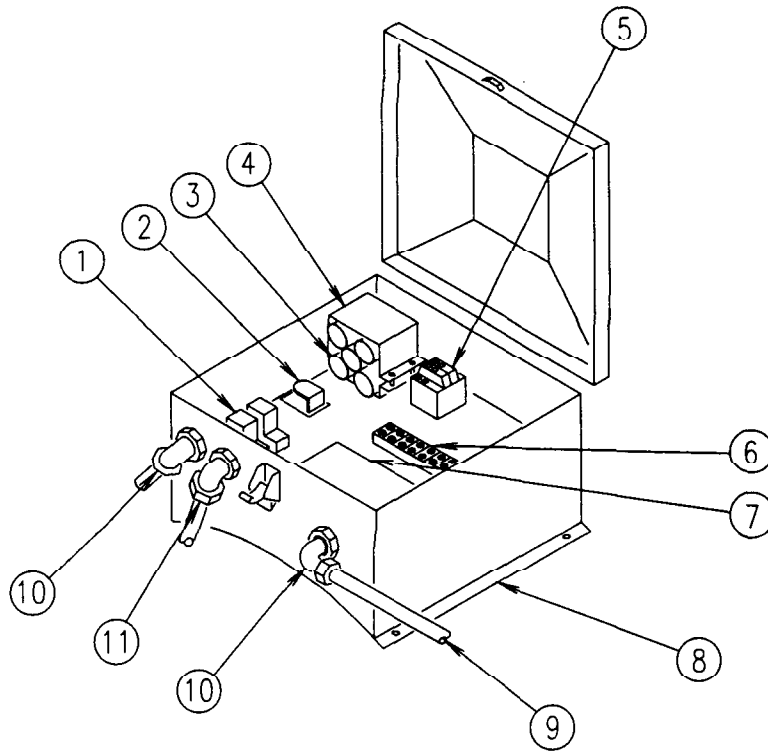
**STACK DRYERS  
CONTROL BOX**

REF NO.	PART NO.	DESCRIPTION	QTY				
			3614	3618	3620	3622	3626
1	D63-0007	HEATER SWITCH	6	6	6	6	6
	D01-0447	LENSE FOR SWITCH	6	6	6	6	6
	D01-0455	120 VOLT LIGHT BULB SOCKET	6	6	6	6	6
2	D03-0124	120 VOLT LIGHT BULB	6	6	6	6	6
	D63-0007	FAN SWITCH	6	6	6	6	6
	D01-0449	LENSE FOR SWITCH	6	6	6	6	6
3	D01-0454	12 VOLT LIGHT BULB SOCKET	6	6	6	6	6
	D03-0125	12 VOLT LIGHT BULB	6	6	6	6	6
	D63-0005	OUTSIDE LIGHT SWITCH	1	1	1	1	1
	D01-0446	LENSE FOR SWITCH	1	1	1	1	1
	D01-0455	120 VOLT LIGHT BULB SOCKET	1	1	1	1	1
	D03-0124	120 VOLT LIGHT BULB	1	1	1	1	1
4	D63-0005	DRYING MODE SWITCH	1	1	1	1	1
	D01-0448	LENSE FOR SWITCH	1	1	1	1	1
	D01-0455	120 VOLT LIGHT BULB SOCKET	1	1	1	1	1
5	D03-0124	120 VOLT LIGHT BULB	1	1	1	1	1
	D63-0006	CONTROL POWER SWITCH	1	1	1	1	1
	D01-0446	LENSE FOR SWITCH	1	1	1	1	1
6	D01-0455	120 VOLT LIGHT BULB SOCKET	1	1	1	1	1
	D03-0124	120 VOLT LIGHT BULB	1	1	1	1	1
	D63-0007	LOAD AUGER SWITCH	1	1	1	1	1
	D01-0579	LENSE FOR SWITCH	1	1	1	1	1
	D01-0455	120 VOLT LIGHT BULB SOCKET	1	1	1	1	1
	D03-0124	120 VOLT LIGHT BULB	1	1	1	1	1
7	D63-0005	THERMOSTAT SWITCH	1	1	1	1	1
	D01-0444	LENSE FOR SWITCH	1	1	1	1	1
	D01-0454	12 VOLT LIGHT BULB SOCKET	1	1	1	1	1
8	D03-0125	12 VOLT LIGHT BULB	1	1	1	1	1
	D03-0041	MOISTURE CONTROL THERMOSTAT	1	1	1	1	1
9	D01-0583	HINGE, INNER DOOR 22 1/4"	1	1	1	1	1
10	TFH-2046	SOUTHCO SPRING LATCH WITH KNOB	2	2	2	2	2
11	D01-0525	CONTROL BOX FRONT PANEL	1	1	1	1	1
12	D03-0116	ELECTRONIC CONTROL SWITCH PANEL	1	1	1	1	1
13	D63-0007	UNLOAD SPEED SWITCH	1	1	1	1	1
	D01-0445	LENSE FOR SWITCH	1	1	1	1	1
	D01-0455	120 VOLT LIGHT BULB SOCKET	1	1	1	1	1
14	D03-0124	120 VOLT LIGHT BULB	1	1	1	1	1
	D03-0017	DRYER START BUTTON	1	1	1	1	1
	D01-0455	120 VOLT LIGHT BULB SOCKET	1	1	1	1	1
15	D03-0124	120 VOLT LIGHT BULB	1	1	1	1	1
	D03-0107	METERING ROLL POTENTIOMETER	2	2	2	2	2
16	D03-0020	DRYER STOP BUTTON	1	1	1	1	1
17	D03-0108	KNOB FOR POTENTIOMETER	2	2	2	2	2
18	D01-0482	CONTROL BOX	1	1	1	1	1
19	S-2052	1/8" X 1/2" X 68" WEATHERSTRIP	1	1	1	1	1
20	D03-0119	ELECTRONIC CONTROL DISPLAY MODULE	1	1	1	1	1
21	D03-0120	ELECTRONIC CONTROL MODULE	1	1	1	1	1
22	D03-0013	DIN RAIL	1	1	1	1	1
	D01-0531	TERMINAL BLOCK					
	D01-0532	BLANK END					
	D01-0533	END STOP					
23	D01-0534	GROUND BLOCK					
	D01-0542	CIRCUIT BOARD MOUNTING PLATE	1	1	1	1	1
24	D03-0121	CIRCUIT BOARD (INPUT OUTPUT)	1	1	1	1	1
25	S-6337	PAN HEAD SCREW 8-32 X 1/2"	6	6	6	6	6
26	S-6525	HEX NUT 8-32	6	6	6	6	6
27	S-2086	HEX HEAD BOLTS 3/8"-16 X 1 1/2"	6	6	6	6	6
28	S-248	FLAT WASHERS (5 EACH BOLT)	30	30	30	30	30
29	S-456	HEX NUT 3/8"-16	6	6	6	6	6
30	D01-0480	CONTROL BOX BACK PANEL	1	1	1	1	1

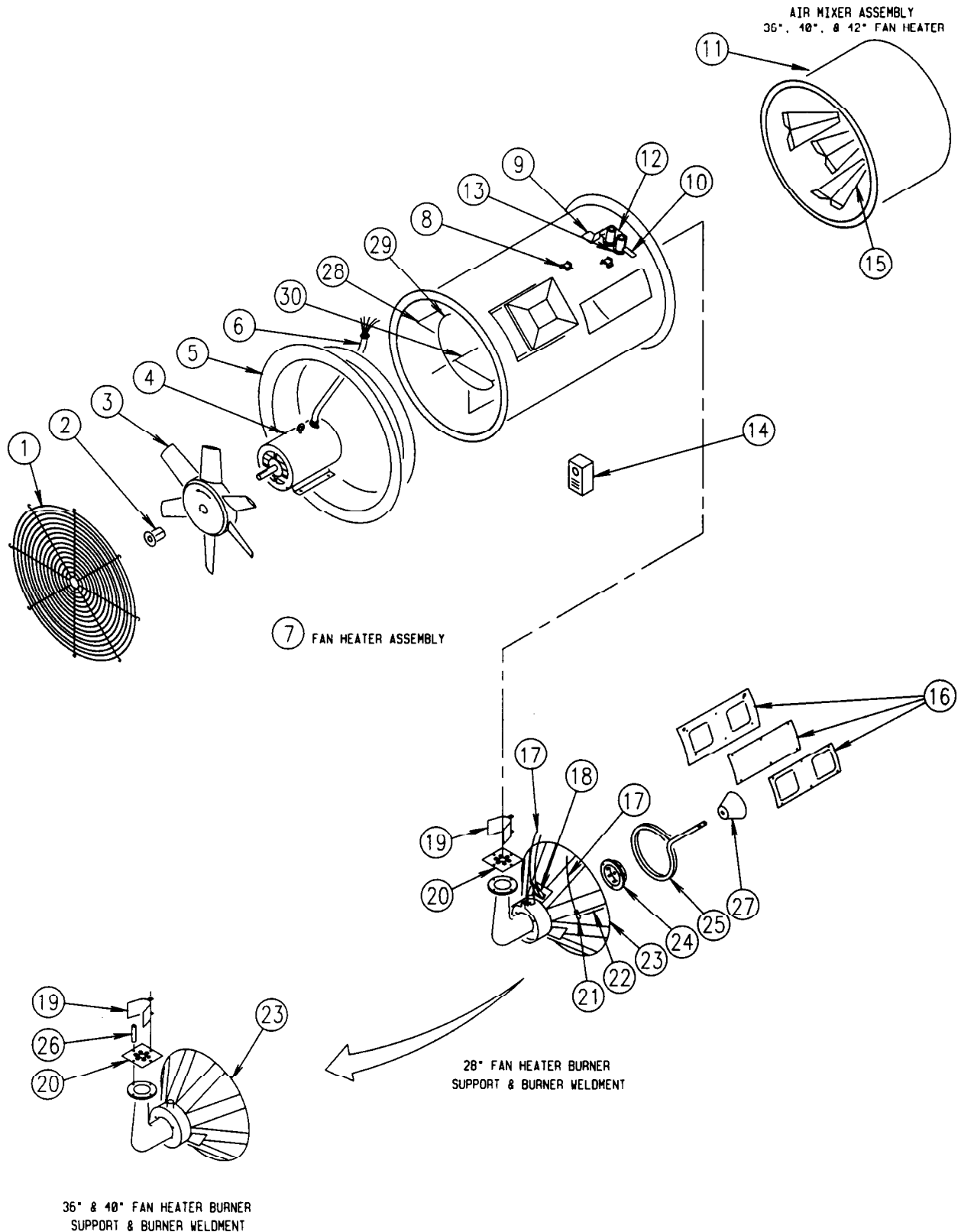
# STACK DRYERS

## FAN HEATER CONTROL BOX

REF NO.	PART NO.	DESCRIPTION	QTY		
			28"	36"	40"
1	TD-100300	DPDT RELAY	1	1	1
	TD-100301	RELAY BASE DPDT	1	1	1
2	CH-5286	START RELAY (1 PHASE)	1		
3	CD-0184	CAPACITOR (1 PHASE)	4	4	
	TFH-2104	CAPACITOR (1 PHASE)		3	3
	TFH-2105	CAPACITOR (1 PHASE)		2	2
4	F-747	CAPACITOR RETAINER CLIP (1 PHASE)	1	1	1
	CD-0089	CAPACITOR CLAMP HALF (1 PHASE)	1	1	1
	CD-0090	CAPACITOR CLAMP HALF (1 PHASE)	1	1	1
5	D03-0013	MOUNTING RAIL	1	1	1
	D01-0532	BLANK END	1	1	1
	D01-0533	END STOP	1	1	1
6	D03-0150	TERMINAL BLOCK 10 MM (YELLOW 3 PHASE)	3	3	3
	D03-0152	TERMINAL BLOCK 12 MM (GRAY 1 PHASE)	2	2	2
	TFH-2013	8 POSITION TERMINAL STRIP	1	1	1
7	HF-4624	ELECTRONIC FLAME DETECTOR BOARD	1	1	1
8	CD-0005	CONTROL BOX	1		
	CD-0065	CONTROL BOX		1	
9	CD-0193	CONTROL BOX			1
10	FH-7038	3/8" PVC			
10	FH-7050	3/8" PVC 90 DEG CONNECTOR	3	3	3
11	FH-7069	3/8" PVC 45 DEG CONNECTOR	1	1	1



# STACK DRYERS FAN HEATER



**STACK DRYERS  
FAN HEATER**

REF NO.	PART NO.	DESCRIPTION	QTY		
			28"	36"	40"
1	TFH-2007	28" GRILL GUARD	1		
	TFH-2002	36" GRILL GUARD		1	
	TFH-2003	40" GRILL GUARD			1
2	TFH-2022	BUSHING 1 3/8" P2	1		
	FH-1009	BUSHING 1 3/8" P2		1	1
3	D72-0005	FAN PROPELLOR 10-12 HP	1		
	D82-0002	FAN PROPELLOR 10-16 HP		1	
	D01-0469	FAN PROPELLOR 10-16 HP			1
	D01-0471	FAN PROPELLOR 25 HP			1
4	CD-0110	10-12 HP 1 PH MOTOR	1	1	1
	CH-1049	10 HP 3 PH MOTOR	1		
	CH-1050	15 HP 3 PH MOTOR		1	
5	C-2049	25 HP 3 PH MOTOR			1
	TFH-2006	28" VENTURI	1		
6	TFH-2004	36" VENTURI		1	
	CD-0141	40" VENTURI			1
	TF-1103	28" FAN SEAL-TITE ASSEMBLY	1		
7	CD-0076	36" FAN SEAL-TITE ASSEMBLY		1	1
	CD-0004	28" FAN HEATER ASSEMBLY	1		
8	CD-0067	36" FAN HEATER ASSEMBLY		1	
	CD-0141	40" FAN HEATER ASSEMBLY			1
9	CD-0179	PIPETRAIN SUPPORT BRACKET	2	2	2
10	HF-7057	VAPORIZER ADJUSTMENT BRACKET (LP ONLY)	1	1	1
	HF-7091	VAPOR COVER PLATE (NATURAL GAS ONLY)	1	1	1
11	HF-7056	VAPORIZER PIVOT BRACKET (LP ONLY)	2	2	2
12	CD-0231	28" AIR MIXER SHROUD	1		
	CD-0082	36" AIR MIXER SHROUD		1	
13	CD-0157	40" AIR MIXER SHROUD			1
14	HF-7060	VAPORIZER SUPPORT WELDMENT (LP ONLY)	1	1	1
	HH-7016	RUBBER GROMMET (LP ONLY)	2	2	2
15	D01-0672	AIR SWITCH BOX ASSEMBLY	1	1	1
	D03-0167	AIR SWITCH	1	1	1
16	CD-0228	AIR MIXER VANE	10		
	CD-0083	AIR MIXER VANE		6	8
	HF-6065	ACCESS PANEL ASSY.	1	1	1
17	TFH-2046	SPRING LATCH W/ BLACK KNOB	2	2	2
	HF-6064	ACCESS PANEL	1	1	1
	HH-2020	PLASTIC WINDOW	1	1	1
18	HF-2025	HEATER COVER PLATE	1	1	1
	CD-0092	60" IGNITION WIRE ASSEMBLY	3	3	3
19	THH-4178	2 PRONG IGNITOR	1	1	1
	CD-0188	IGNITOR BRACKET	1	1	1

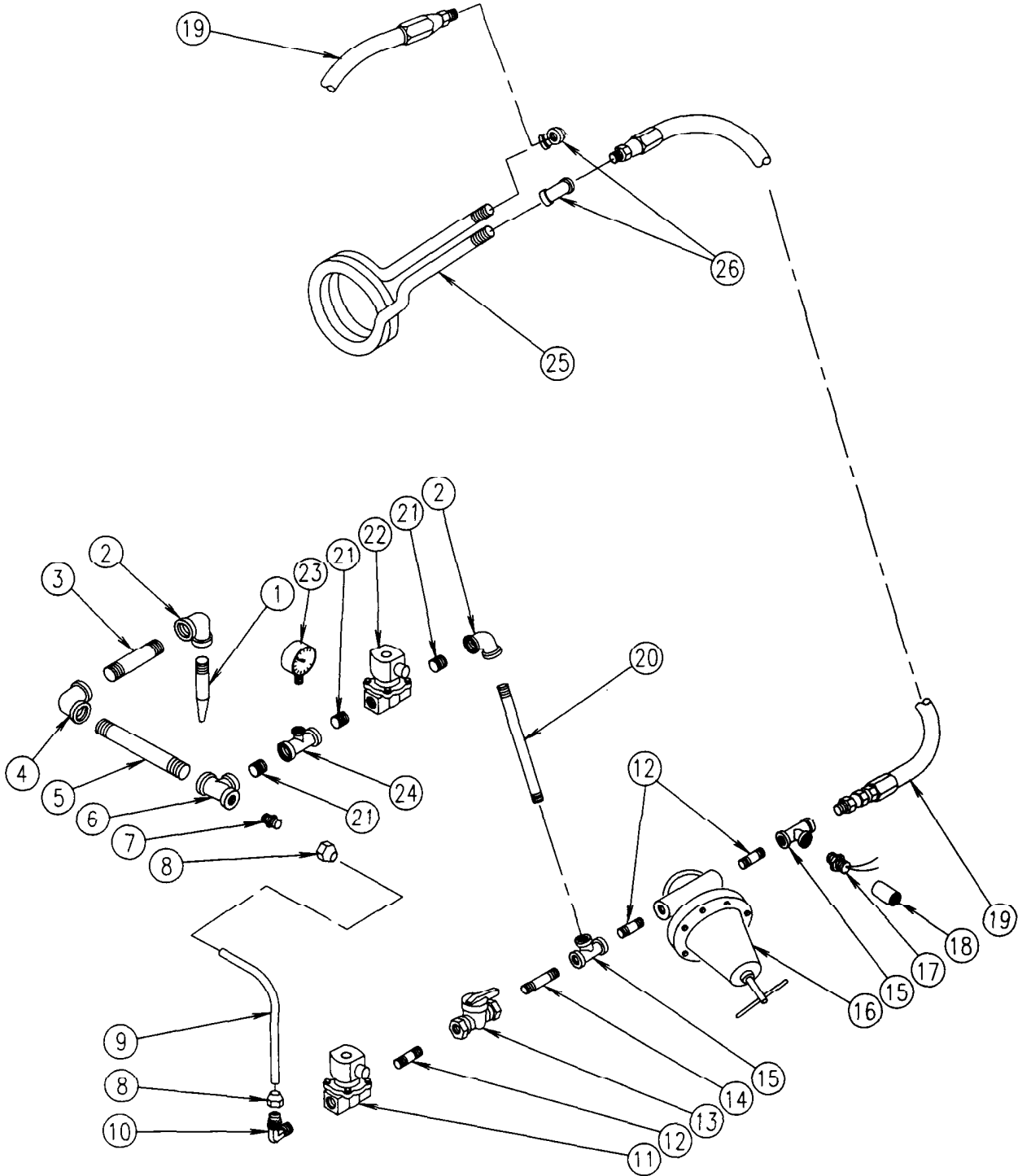


**STACK DRYERS  
FAN HEATER**

REF NO.	PART NO.	DESCRIPTION	QTY		
			28"	36"	40"
19	HF-983	COLLECTOR	1	1	1
	CD-0102	COLLECTOR & BURNER SUPPORT		1	
20	THF-3101	COLLECTOR PLATE	1		
	CD-0105	COLLECTOR PLATE		1	1
21	CD-0187	FLAME PROBE MOUNTING BRACKET	1	1	1
22	THH-4179	FLAME SENSING PROBE	1	1	1
23	THF-3141	BURNER	1		
	CD-0091	BURNER		1	1
24	THF-3144	BURNER CUP	1		
	THF-3057	BURNER CUP		1	1
25	CD-0198	FORMED VAPORIZER COIL (LP ONLY)	1		
	CD-0197	FORMED VAPORIZER COIL (LP ONLY)		1	
	HF-7207	FORMED VAPORIZER COIL (LP ONLY)			1
26	CD-0103	BURNER SUPPORT PIPE		4	
27	HH-7055	BURNER CONE	1		
	HH-7056	BURNER CONE		1	1
28	D01-0529	AIR STRAIGHTENING VANES	11		
	CD-0104	AIR STRAIGHTENING VANES		6	6
29	D01-0528	INNER CAN	1		
30	D01-0530	MOTOR MOUNT 10 HP	1		
	CD-0068	MOTOR MOUNT 10 - 16 HP OR 15 HP		1	
	CD-0101	V - BRACE			1

# STACK DRYERS

## 28" LP FAN HEATER PIPETRAIN

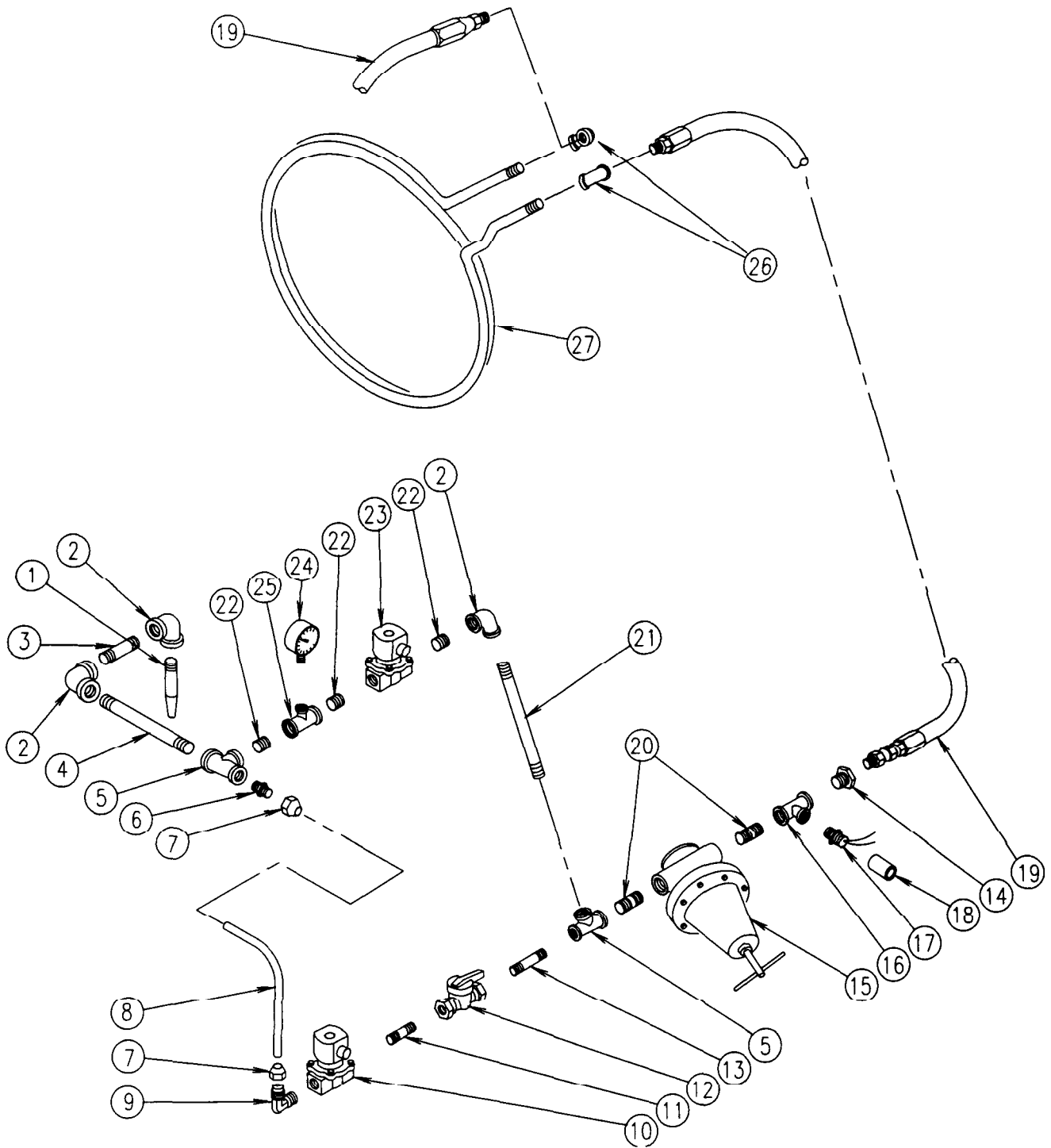


**STACK DRYERS**  
**28" LP FAN HEATER PIPETRAIN**

REFERENCE NUMBER	PART NO.	DESCRIPTION	QTY PER FAN
1	THF-3241	1/2" BRASS ORIFICE PLUG .25" ORIFICE DIA.	1
2	THH-4149	3/4" TO 1/2" 90 DEG REDUCING ELBOW SCH 40 BLACK	2
3	D07-0030	3/4" X 7 3/4" NIPPLE, SCH 40 BLACK	1
4	THH-4120	3/4" 90 DEG ELBOW, SCH 40 BLACK	1
5	D07-0030	3/4" X 7 3/4" NIPPLE, SCH 40 BLACK	1
6	D18-0002	3/4" X 1/2" X 3/4" TEE, SCH 40 BLACK	1
7	HH-1254	U1-8D MALE FLARE CONNECTOR	1
8	HH-1255	NS-4-8 FLARE NUT	2
9	CT-0050	1/2" X 7.5" COPPER TUBE	1
10	THH-4010	1/2" 90 DEG ELBOW, BRASS	1
11	TFC-0032	1/2" SOLENOID VAPOR VALVE	1
	TFC-0086	ASCO REPLACEMENT COIL	
12	TFC-0089	ASCO REPAIR KIT	
	HH-2029	1/2" X 1 1/2" NIPPLE, SCH 40 BLACK	3
13	D02-0084	1/2" NPT BRASS BALL VALVE	1
14	THH-4128	1/2" X 2" NIPPLE, SCH 40 BLACK	1
15	HH-1453	1/2" X 1/2" X 1/2" TEE, SCH 40 BLACK	1
16	HH-1077	1/2" REGULATOR	1
17	HH-7013	VAPOR HI-LIMIT 200 DEG (SCREW IN TYPE)	1
18	HH-7031	1/2" COUPLER, SCH 80 BLACK	1
19	TFC-0095	1/2" X 18" HOSE ASSY.	2
20	HH-6502	1/2" X 7" NIPPLE, SCH 40 BLACK	1
21	THH-4121	3/4" X CLOSE NIPPLE, SCH 40 BLACK	3
22	TFC-0081	3/4" SOLENOID VAPOR VALVE	1
	TFC-0085	ASCO REPLACEMENT COIL	
	TFC-0089	ASCO REPAIR KIT	
23	HH-2984	1/4" 30 PSI PRESSURE GAUGE	1
24	THH-4154	3/4" X 3/4" X 1/4" TEE SCH 40 BLACK	1
25	CD-0198	VAPORIZER COIL (LP-GAS ONLY)	1
26	THH-4071	1/2" 90 DEG ELBOW, SCH 40 BLACK	2

# STACK DRYERS

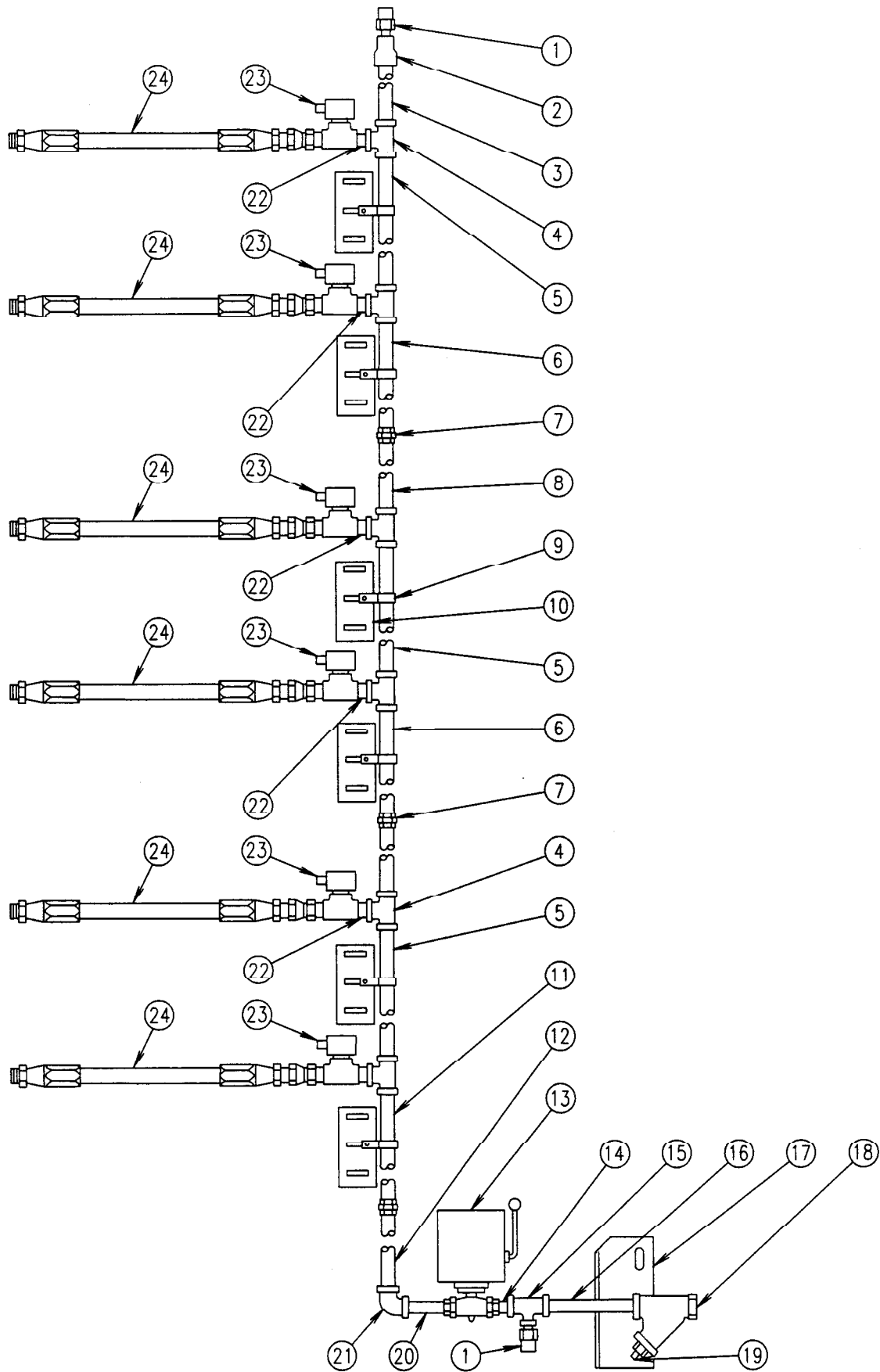
## 36" & 40" LP FAN HEATER PIPETRAIN



**STACK DRYERS**  
**36" & 40" LP FAN HEATER PIPETRAIN**

REFERENCE NUMBER	PART NO.	DESCRIPTION	QTY	
			36"	40"
1	THF-3242	36" PROPANE ORIFICE TUBE .2812" ORIFICE DIA. 10-12 HP	1	
	CD-0150	36" PROPANE ORIFICE TUBE .3281" ORIFICE DIA. 10-16 HP	1	
	CD-0183	40" PROPANE ORIFICE TUBE .3593" ORIFICE DIA. 25 HP		1
2	THH-4000	1" 90 DEG ELBOW, SCH 40 BLACK	1	1
3	THH-4164	1" 90 DEG STREET ELBOW, SCH 40 BLACK	1	1
4	THH-4183	1" X 10 3/4" NIPPLE, SCH 40 BLACK	1	1
5	D08-0017	1" X 1" X 3/4" TEE, SCH 40 BLACK	1	1
6	THH-4005	1" TO 1/2" HEX REDUCER BUSHING, SCH 40 BLACK	1	1
7	HH-1254	U1-8D MALE FLARE CONNECTOR	1	1
8	HH-1255	NS-4-8 FLARE NUT	2	2
9	CT-0050	1/2" X 7.5" COPPER TUBE	1	1
10	THH-4010	1/2" 90 DEG ELBOW, BRASS	1	1
11	TFC-0032	1/2" SOLENOID L.P. VALVE	1	1
	TFC-0085	ASCO REPLACEMENT COIL		
	TFC-0089	ASCO REPAIR KIT		
12	HH-2029	1/2" X 1 1/2" NIPPLE, SCH 40 BLACK	1	1
13	D02-0084	1/2" NPT BRASS BALL VALVE	1	1
14	THH-4128	1/2" X 2" NIPPLE, SCH 40 BLACK	1	1
15	D07-0028	3/4" TO 1/2" HEX REDUCER BUSHING	1	1
16	D18-0002	3/4" X 1/2" X 3/4" TEE, SCH 40 BLACK	1	1
17	TFC-0020	3/4" REGULATOR 0-30 PSI	1	1
18	THH-4174	3/4" X 3/4" X 1/2" TEE, SCH 40 BLACK	1	1
19	HH-7013	VAPOR HI-LIMIT 200 DEG (SCREW IN TYPE)	1	1
20	HH-7031	1/2" COUPLER SCH 80 BLACK	1	1
21	D07-0022	1/2" 90 DEG STREET ELBOW, SCH 40 BLACK	1	1
22	TFC-0095	1/2" HOSE ASSY.	2	2
23	THH-4071	1/2" 90 DEG, SCH 40 BLACK	2	2
24	HF-7207	VAPORIZER COIL (LP-GAS ONLY)	1	1
25	THH-4150	3/4" X 1 1/2" NIPPLE, SCH 40 BLACK	2	2
26	HH-7098	3/4" X 12" NIPPLE, SCH 40 BLACK	1	1
27	THH-4120	3/4" 90 DEG ELBOW, SCH 40 BLACK	1	1
28	THH-4121	3/4" CLOSE NIPPLE, SCH 40 BLACK	3	3
29	TFC-0081	3/4" SOLENOID LP VALVE	1	1
30	TFC-0086	ASCO REPLACEMENT COIL		
	TFC-0089	ASCO REPAIR KIT		
	HH-2984	1/4" 30 PSI PRESSURE GAUGE		
31	THH-4154	3/4" X 3/4" X 1/4" TEE, SCH 40 BLACK	1	1

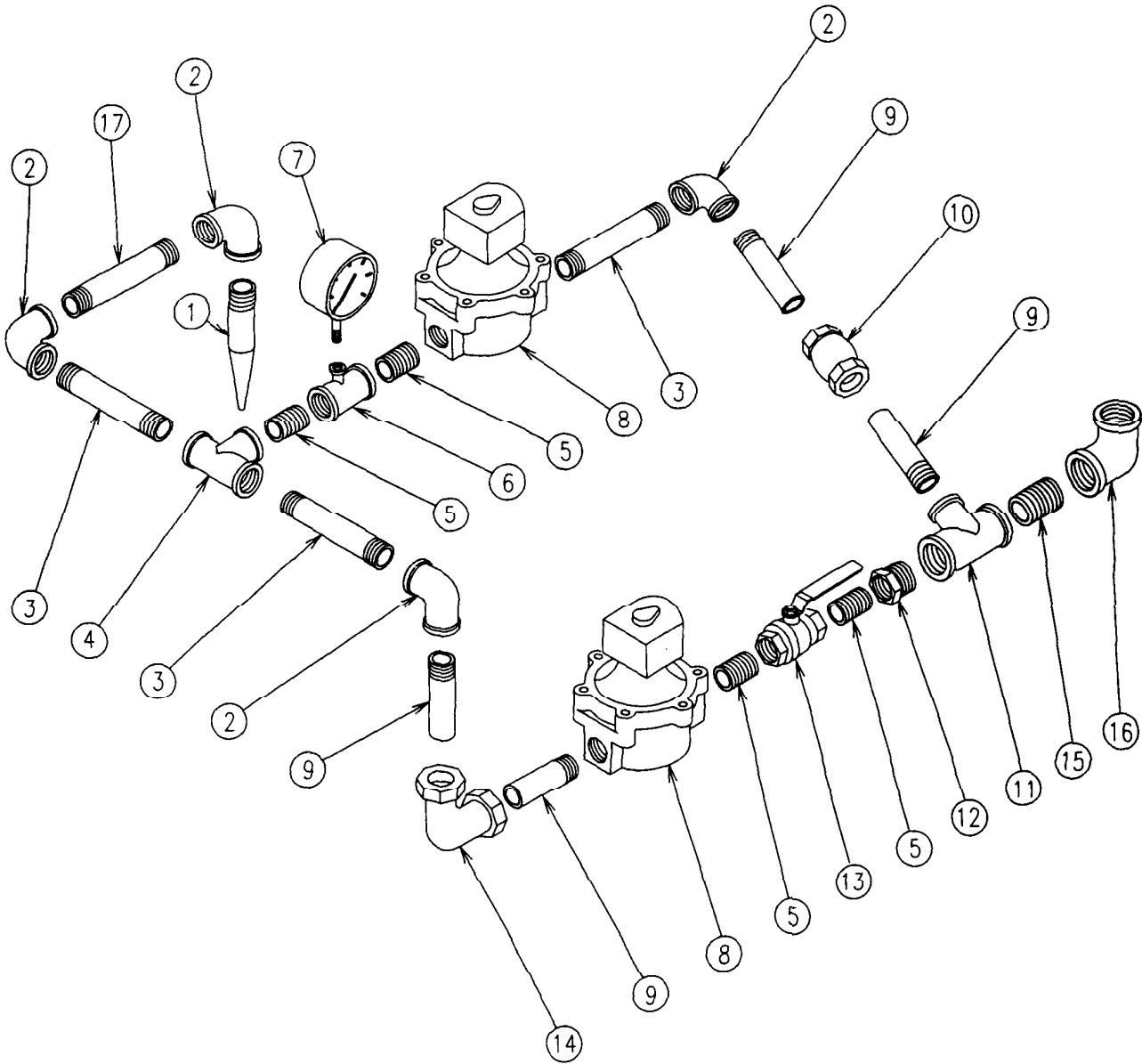
# STACK DRYERS LP FUEL SUPPLY



**STACK DRYERS  
LP FUEL SUPPLY**

REF NO.	PART NO.	DESCRIPTION	QTY				
			3614	3618	3620	3622	3626
1	HH-4845	1/4" NPT 250 PSI RELIEF VALVE	2	2	2	2	2
2	D67-0015	3/4" TO 1/4" BELL REDUCER, SCH 80 BLACK	1	1	1	1	1
3	D01-1017	3/4 X 25" NIPPLE, SCH 80 BLACK	1	1	1	1	1
4	HH-7036	3/4" X 3/4" X 1/2" TEE, SCH 80 BLACK	6	6	6	6	6
5	D01-1159	3/4" X 52" NIPPLE, SCH 80 BLACK	3				
	D01-1160	3/4" X 55" NIPPLE, SCH 80 BLACK		3	3	3	3
6	D01-1009	3/4" X 32" NIPPLE, SCH 80 BLACK	3				
	D01-0856	3/4" X 35" NIPPLE, SCH 80 BLACK		3	3	3	3
7	D67-0002	3/4" FEMALE UNION, SCH 80 BLACK	3	3	3	3	3
8	D01-1017	3/4" X 25" NIPPLE, SCH 80 BLACK	3	3	3	3	3
9	D62-0005	3/4" CONDUIT CLAMP	6	6	6	6	6
10	D31-0074	GAS MANIFOLD MOUNTING BRACKET	6	6	6	6	6
11	D01-1010	3/4" X 34" NIPPLE, SCH 80 BLACK	1	1	1	1	1
12	D01-1024	3/4" X 24" NIPPLE, SCH 80 BLACK	1	1	1	1	1
13	D28-0001	ELECTRIC SHUT OFF VALVE	1	1	1	1	1
14	HH-3683	3/4" X 1 1/2" NIPPLE, SCH 80 BLACK	1	1	1	1	1
15	D67-0001	3/4" X 3/4" X 1/4" TEE, SCH. 80 BLACK	1	1	1	1	1
16	D67-0016	3/4" X 8" NIPPLE, SCH 80 BLACK	1	1	1	1	1
17	D31-0075	GAS VALVE CARRIER BRACKET	1	1	1	1	1
18	D67-008	3/4" NPT STRAINER, SCH. 80	1	1	1	1	1
19	HH-1504	3/8" PIPE PLUG	1	1	1	1	1
20	D67-0017	3/4" NPT X 4" NIPPLE, SCH 80 BLACK	1	1	1	1	1
21	D67-0011	3/4" NPT 90 DEG ELBOW, SCH 80 BLACK	1	1	1	1	1
22	THH-4113	1/2" CLOSE NIPPLE SCH 80 BLACK	6	6	6	6	6
23	TFC-0092	1/2" NPT LIQUID SOLENOID VALVE	6	6	6	6	6
	TFC-0087	ASCO REPAIR KIT					
	TFC-0085	ASCO REPLACEMENT COIL					
24	TFC-0095	1/2" GAS HOSE ASSEMBLY	6	6	6	6	6

**STACK DRYERS**  
**28" NATURAL GAS FAN HEATER PIPETRAIN**

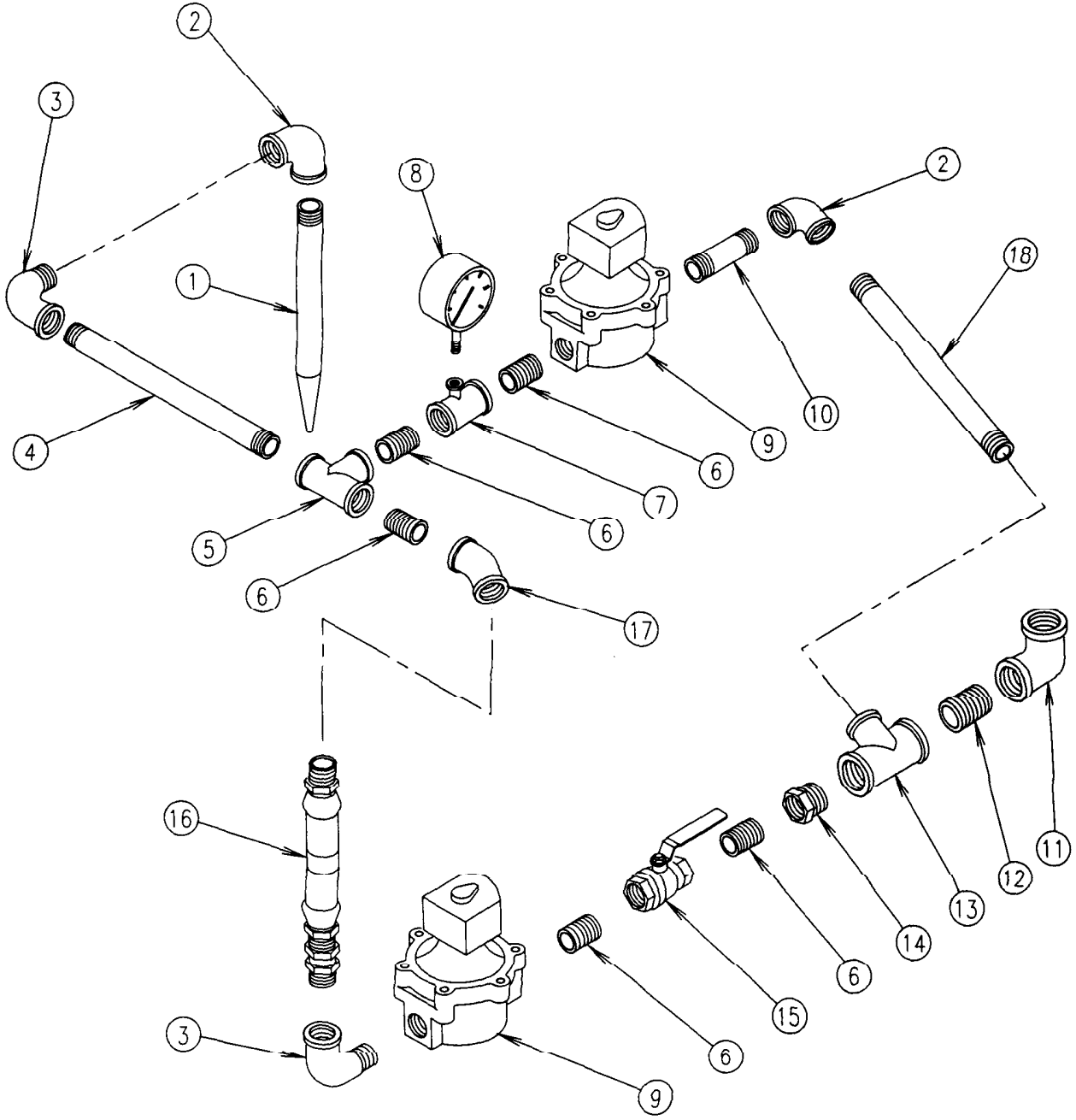




**STACK DRYERS**  
**28" NATURAL GAS FAN HEATER PIPETRAIN**

REF NO.	PART NO.	DESCRIPTION	QTY PER FAN
1	THF-3140	28" NATURAL GAS ORIFICE TUBE .375" ORIFICE DIA.	1
2	THH-4120	3/4" 90 DEG ELBOW, SCH 40 BLACK	4
3	D08-0018	3/4" X 4" NIPPLE, SCH 40 BLACK	3
4	THH-4045	3/4" X 3/4" X 3/4" TEE, SCH 40 BLACK	1
5	THH-4121	3/4" CLOSE NIPPLE, SCH 40 BLACK	4
6	THH-4154	3/4" X 3/4" X 1/4" TEE, SCH 40 BLACK	1
7	D08-0022	1/4" LOW PSI PRESSURE GAUGE	1
8	TFC-0081	3/4" SOLENOID GAS VALVE (ASCO)	2
	TFC-0086	3/4" REPAIR COIL (ASCO)	
9	TFC-0089	3/4" REPAIR KITS (ASCO)	
	D68-0003	3/4" X 3" PIPE TOE SCH 40 BLACK	4
10	D58-0003	#65 DRESSER COUPLING SCH. 40 BLACK	1
11	D08-0017	1" X 1" X 3/4" TEE, SCH 40 BLACK	1
12	D08-0003	1" TO 3/4" HEX REDUCER BUSHING, SCH 40 BLACK	1
13	D58-0002	3/4" SHUT-OFF VALVE	1
14	D58-0004	#65 DRESSER ELBOW, SCH 40 BLACK	1
15	THH-4117	1" CLOSE NIPPLE, SCH 40 BLACK	1
16	THH-4000	1" 90 DEG ELBOW, SCH 40 BLACK	1
17	D07-0030	3/4" X 7 3/4" NIPPLE, SCH 40 BLACK	1

**STACK DRYERS**  
**36" & 40" NATURAL GAS FAN HEATER PIPETRAIN**



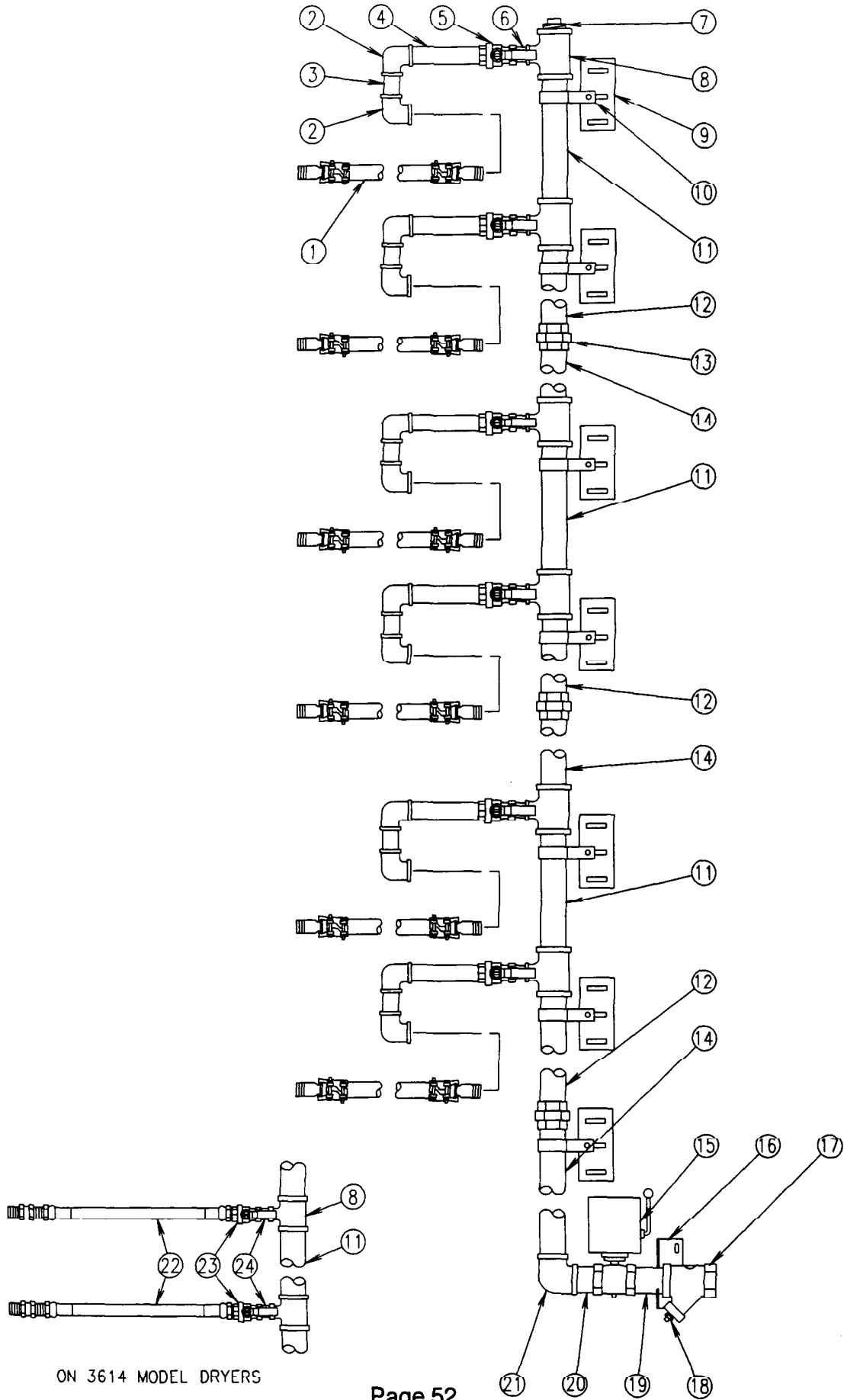
**STACK DRYERS**

**36" & 40" NATURAL GAS FAN HEATER PIPETRAIN**

REFERENCE NUMBER	PART NO.	DESCRIPTION	QTY PER FAN	
			36"	40"
1	TFH-3243	36" NAT. GAS ORIFICE TUBE .4062" DIA. 10-12 HP	1	
	THF-3244	36" NAT. GAS ORIFICE TUBE .5" DIA. 10-16 HP	1	
	CD-0182	40" NAT. GAS ORIFICE TUBE .5312" DIA. 25 HP		1
2	THH-4000	1" 90 DEG ELBOW, SCH 40 BLACK	2	2
3	THH-4164	1" 90 DEG STREET ELBOW, SCH 40 BLACK	2	2
4	THH-4183	1" X 10 3/4" NIPPLE, SCH 40 BLACK	1	1
5	THH-4137	1" X 1" X 1" TEE, SCH 40 BLACK	1	1
6	THH-4117	1" CLOSE NIPPLE, SCH 40 BLACK	5	5
7	THH-4152	1" X 1" X 1/4" TEE, SCH 40 BLACK	1	1
8	D08-0022	1/4" LOW PSI PRESSURE GAUGE	1	1
9	TFC-0031	1" SOLENOID GAS VALVE (ASCO)	2	2
	TFC-0082	REPAIR COIL (ASCO)		
10	TFC-0090	REPAIR KITS (ASCO)		
	THH-4151	1" X 3" NIPPLE, SCH 40 BLACK	1	1
11	D08-0011	1 1/2" 90 DEG ELBOW, SCH 40 BLACK	1	1
12	D08-0009	1 1/2" CLOSE NIPPLE, SCH 40 BLACK	1	1
13	D38-0001	1 1/2" X 1 1/2" X 1" TEE SCH 40 BLACK	1	1
14	D08-0007	1 1/2" X 1" HEX REDUCER	1	1
15	TFC-0093	1" BALL SHUT OFF VALVE	1	1
16	D68-0020	1" X 11" HOSE ASSEMBLY	1	1
17	HH-7038	1" 45 DEG ELBOW, SCH 40 BLACK	1	1
18	HH-7099	1" X 12 1/2" NIPPLE, SCH 40 BLACK	1	1

# STACK MODEL DRYERS

## NATURAL GAS FUEL SUPPLY



ON 3614 MODEL DRYERS

**STACK DRYERS**  
**NATURAL GAS FUEL SUPPLY**

REF NO	PART NO	DESCRIPTION	QTY				
			3614	3618	3620	3622	3626
1	D68-0019	1 1/2" X 36" LONG, MALE HOSE		6	6	6	6
2	D08-0011	1 1/2" 90 DEG ELBOW, SCH. 40 BLACK		12	12	12	12
3	D08-0001	1 1/2" X 6" NIPPLE SCH 40 BLACK		6	6	6	6
4	D08-0028	1 1/2" X 12" NIPPLE SCH 40 BLACK		6	6	6	6
5	D08-0008	1 1/2" SHUT OFF VALVE		6	6	6	6
6	D08-0009	1 1/2" CLOSE NIPPLE SCH 40 BLACK		6	6	6	6
7	D68-0010	2 1/2" SQUARE PLUG SCH 40 BLACK	1				
	D78-0004	3" SQUARE PLUG		1	1	1	1
8	HH-7087	2 1/2" X 2 1/2" X 1" TEE SCH 40 BLACK	6				
	D78-0009	3" X 3" X 1 1/2" TEE SCH 40 BLACK		6	6	6	6
9	D31-0074	GAS MANIFOLD MOUNTING BRACKET	6	6	6	6	6
10	D62-0006	2 1/2" CONDUIT CLAMP	6				
	S-7172	3" CONDUIT CLAMP		6	6	6	6
11	D68-0017	2 1/2" X 43" NIPPLE SCH 40 BLACK	3				
	D71-0017	3" X 43" NIPPLE SCH 40 BLACK		3	3	3	3
12	HH-7090	2 1/2" X 36" NIPPLE SCH 40 BLACK	3				
	D71-0016	3" X 26" NIPPLE SCH 40 BLACK		3	3	3	3
13	D68-0004	2 1/2" FEMALE UNION SCH 40 BLACK	3				
	D78-0006	3" FEMALE UNION SCH 40 BLACK		3	3	3	3
14	D68-0016	2 1/2" X 26" NIPPLE SCH 40 BLACK	3				
	D71-0016	3" X 26" NIPPLE SCH 40 BLACK		3	3	3	3
15	D68-0015	2 1/2" ELECTRONIC SHUT-OFF VALVE	1				
	D78-0001	3" ELECTRONIC SHUT-OFF VALVE		1	1	1	1
16	D51-0045	CARRIER BRACKET	1	1	1	1	1
17	D68-0011	2 1/2" Y STRAINER, SCH. 40 BLACK	1				
	D78-0002	3" Y STRAINER, SCH 40 BLACK		1	1	1	1
18	D08-0014	1" PIPE PLUG, SCH. 40 BLACK	1	1	1	1	1
19	D68-0018	2 1/2" X 9" NIPPLE SCH 40 BLACK	1				
	D78-0008	3" X 9" NIPPLE SCH 40 BLACK		1	1	1	1
20	D68-0012	2 1/2" X 4" NIPPLE SCH 40 BLACK	1				
	D78-0007	3" X 4" NIPPLE SCH 40 BLACK		1	1	1	1
21	D68-0014	2 1/2" 90 DEG ELBOW SCH 40 BLACK	1				
	D78-0003	3" 90 DEG ELBOW SCH 40 BLACK		1	1	1	1
22	D68-0007	1" X 36" HOSE	6				
23	60-0073	1 1/2" BALL VALVE	6				
24	THH-4117	1" CLOSE NIPPLE SCH 40 BLACK	6				





# AIRSTREAM GRAIN CONDITIONING SYSTEMS

**AIRSTREAM**

A MEMBER OF  
THE GSI GROUP



1004 E. Illinois St., Box 20  
Assumption, IL 62510-0020  
phone: 217-226-4421  
fax: 217-226-4498

APRIL 18, 1995